



# K-Line Condensing Units

## PRODUCT DATA & SPECIFICATIONS

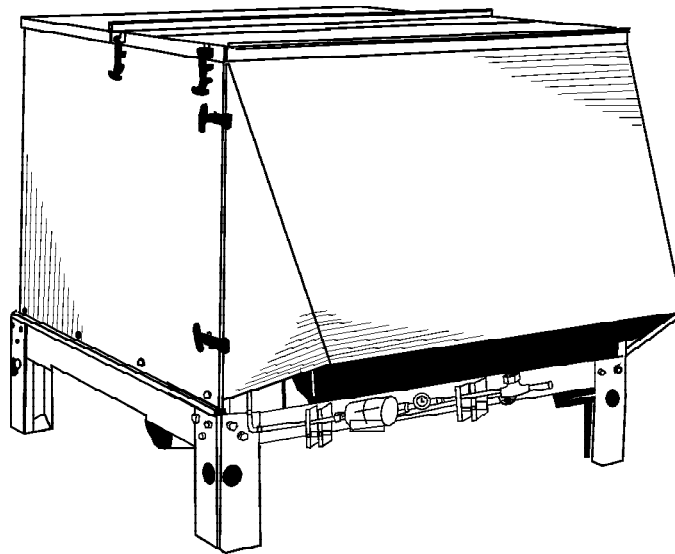
Bulletin K40-K-PDS-11

1064610

Indoor & Outdoor Air Cooled  
Semi-Hermetic Condensing Units

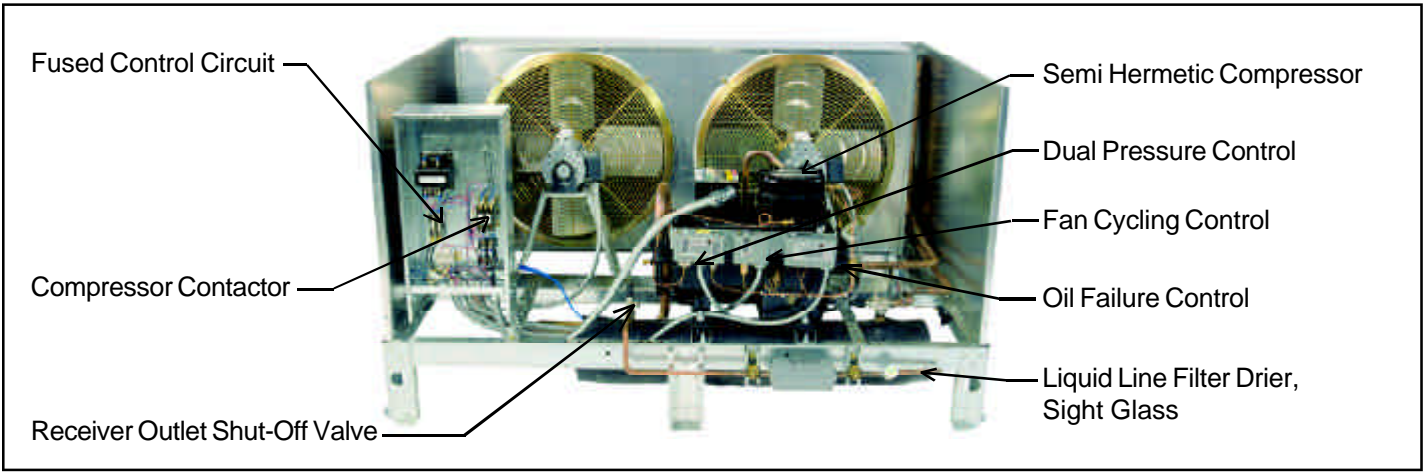
3 to 30 HP

We are on the Internet   
[www.keepriterefrigeration.com](http://www.keepriterefrigeration.com)



## CONTENTS

	<b>Page</b>
Features.....	2
Nomenclature.....	2
 <b>CAPACITY DATA</b>	
Copeland R22 - High/Medium Temp.....	3
Carlyle R22 - High/Medium Temp.....	4
Copeland R134a - High/Medium Temp.....	5
Carlyle R134a - High/Medium Temp.....	6
Copeland R404A, R507 High/Medium Temp.....	7
Copeland R404A, R507 Low Temp.....	8
Carlyle R404A/R507 - Low Temp.....	9
Copeland R22 Low Temp.....	10
Copeland R502 Low Temp.....	11
Carlyle R502 - Low Temp.....	12
 Dimensional Data.....	 13, 14
Specifications.....	15, 16, 17
Electrical Specifications.....	18 - 27



# FEATURES

## STANDARD FEATURES INCLUDE:

### Indoor Unit

- Standard Features Include:**
- Weatherproof electrical control box with compressor contactor and fused control circuit
  - Spring mounted, accessible semi-hermetic compressor
  - Discharge vibration eliminator
  - Copper tubing secured with Hydra-Zorb / Cush-A-Clamp
  - Receiver with fusible plug and liquid shut off valve
  - Fan Guard
  - Adjustable dual high / low pressure control
  - Oil failure control on all applicable models
  - Demand Cooling™ on R22 low temp. models

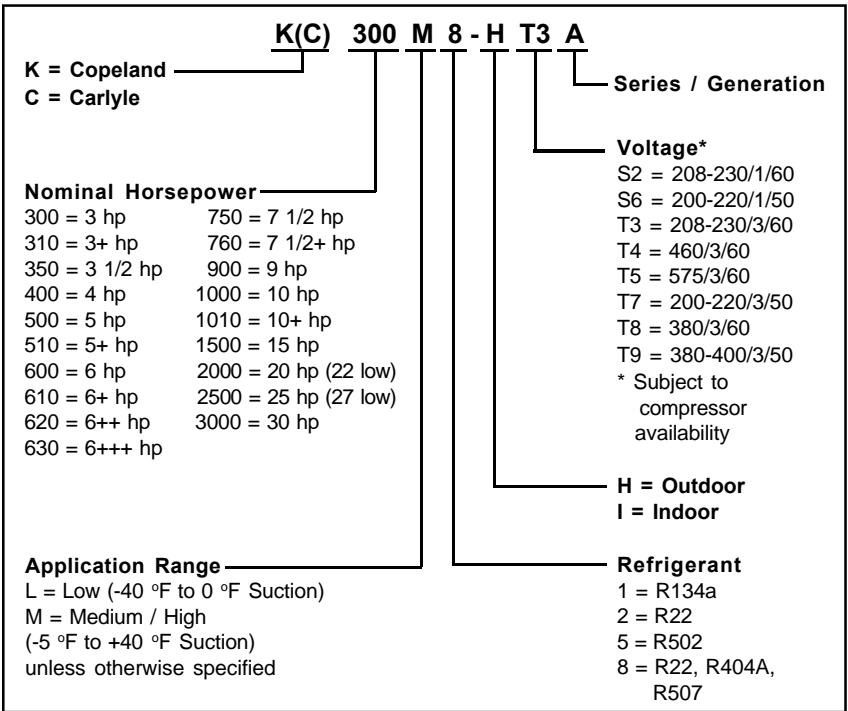
### Outdoor Unit

- All Standard Features of Indoor Unit Plus:**
- Outdoor weather-resistant housing with removable hood
  - Sealed liquid line filter drier and sight glass
  - Flooded head pressure control (non adjustable)
  - Adjustable pressure fan cycling control on 2 fan models only
  - Crankcase heater
  - Pump down toggle switch
  - Two valve adjustable pressure control (standard on M8 units only)

## OPTIONAL FEATURES (FACTORY MOUNTED)

- Suction accumulator
- Sealed or replaceable core suction filter with vibration eliminator
- Oil separator c/w oil return filter and solenoid valve
- Over-sized receiver
- Heated and insulated receiver
- Receiver inlet valve
- Sealed or replaceable core liquid line filter drier and sight glass
- Liquid line solenoid valve with 230 volt coil (shipped loose)
- Ball valve (shipped loose)
- Sentronic oil failure control
- Two valve adjustable flooded head pressure control
- Flex hose on all controls
- Compressor circuit breaker
- Compressor time delay relay
- Pump down toggle switch
- Time clock
- Defrost contactor with fuse block
- Evaporator fan contactor with fuse block
- Adjustable pressure or ambient fan cycling control on 2 fan models only
- Fused disconnect
- Phase / voltage monitor

## NOMENCLATURE



**OTHER OPTIONS AVAILABLE AT YOUR REQUEST - CONSULT FACTORY**

# 60Hz COPELAND PERFORMANCE CAPACITY

Application Data Calculated at 65 °F. Return Gas, 0 °F. Liquid Subcooling

## R22 - HIGH/MEDIUM TEMPERATURE - CAPACITY (BTU/HR)

Unit Shipped with polyolester oil

COND. UNIT MODEL *	SAT. SUCTION TEMP. °F	80°F Amb.	90°F Amb.	95°F Amb.	100°F Amb.	105°F Amb.
<b>K300M8</b> Compressor Model <b>ERFA-031E</b>	40	36990	34900	33940	32980	32020
	30	30520	28880	28060	27420	23830
	25	27610	26080	25330	24580	23830
	20	24860	23450	22760	22070	21390
	10	19990	18800	18220	17640	17060
<b>K310M8</b> Compressor Model <b>3RAA-031E</b>	25	36020	32930	31460	29900	28390
	20	32610	29870	28440	27050	25660
	15	26590	27050	25750	24480	23210
	10	26570	24240	23050	21900	20750
	0	21590	19640	18660	17690	16730
<b>K500M8</b> Compressor Model <b>2DC3-050E</b>	40	65580	61330	59380	57330	55190
	30	54880	51290	49550	47810	46070
	25	49840	46560	44970	43370	41780
	20	45070	42080	40620	39160	37710
	10	36450	34010	32760	31550	30350
<b>K510M8</b> Compressor Model <b>2DD3-050E</b>	40	74180	69570	67280	64980	62590
	30	62240	58230	56280	54330	52390
	25	56610	52930	51140	49350	47570
	20	51250	47890	46250	44610	42980
	10	41540	38790	37390	36030	34670
<b>K750M8</b> Compressor Model <b>2DL3-075E</b>	40	94010	88370	85300	82520	79740
	30	78590	73590	71230	68870	66520
	25	71120	66780	64620	62450	60300
	20	64350	60330	58340	56370	54390
	10	52030	48710	47030	45380	43740
<b>K760M8</b> Compressor Model <b>3DA3-075E</b>	40	125480	117760	114340	110780	107230
	30	104550	98460	95430	92400	89380
	25	95060	89370	86580	83800	81030
	20	85960	80750	78190	75650	73100
	10	69530	65180	63050	60920	58800
<b>K1000M8</b> Compressor Model <b>3DB3-100E</b>	40	147780	139420	135290	130510	126510
	30	123170	116060	112520	108980	105460
	25	111880	105350	102100	98850	95610
	20	101290	95200	92220	89240	86270
	10	91850	76870	74370	71880	69400
<b>K1500M8</b> Compressor Model <b>3DS3-150E</b>	40	192840	181440	176020	170320	164640
	30	162330	152350	147680	142650	138810
	25	147750	138570	134100	129630	125180
	20	133860	125450	121340	117250	113160
	10	108670	101630	98190	94760	91340
<b>K2000M8</b> Compressor Model <b>4DA3-200E</b>	40	220750	207290	201100	194900	188770
	30	183300	172780	167500	161600	156340
	25	166570	156600	151190	146350	141500
	20	150200	140790	136350	131900	127490
	10	120800	113380	109670	105970	102280
<b>K2500M8</b> Compressor Model <b>4DH3-250E</b>	40	280170	262240	254260	244590	236600
	30	234830	220560	212600	205450	198290
	25	213800	199560	193000	186370	179090
	20	193060	180650	174600	167900	161860
	10	156490	145800	140730	135600	130600
<b>K3000M8</b> Compressor Model <b>4DJ3-300E</b>	40	308300	291000	281000	271000	262000
	30	259900	243900	236400	228000	220100
	25	235900	222000	214000	207300	200300
	20	214000	200000	193700	187300	180200
	10	173100	162500	156300	150900	145500

\* COMPRESSOR MODEL SHOWN IS FOR 208-230/3/60, EXACT MODEL MAY VARY WITH OTHER VOLTAGES.

# 60Hz CARLYLE PERFORMANCE CAPACITY

Application Data Calculated at 65 °F. Return Gas, 0 °F. Liquid Subcooling

## R22 - HIGH/MEDIUM TEMPERATURE - CAPACITY (BTU/HR)

Unit Shipped with mineral oil

COND. UNIT MODEL	SAT. SUCTION TEMP. °F	80°F Amb.	90°F Amb.	95°F Amb.	100°F Amb.	105°F Amb.
<b>KC300M2</b> Compressor Model <b>06DM808</b>	40	40970	38160	37040	35780	34510
	30	33880	32630	30570	29510	28450
	25	30610	28560	27590	26620	25660
	20	27500	25640	24760	23880	23000
	10	21870	20410	19630	18910	18190
<b>KC500M2</b> Compressor Model <b>06DM313</b>	40	64770	60080	58140	55940	53510
	30	53910	49970	48140	46270	44430
	25	48780	45190	43510	41820	40130
	20	43890	40640	39110	37570	36040
	10	35000	32470	31100	29840	28590
<b>KC750M2</b> Compressor Model <b>06DA818</b>	40	92430	86920	84160	81390	78320
	30	76780	71640	69310	66990	64660
	25	69400	64710	62580	60460	58340
	20	62160	58110	56180	54250	52320
	10	49470	46150	44560	42980	41400
<b>KC760M2</b> Compressor Model <b>06DA824</b>	40	120300	111320	107620	103530	99430
	30	100040	92790	89370	85920	82440
	25	90610	83990	80840	77690	74540
	20	81600	75590	72720	69860	66990
	10	65160	60430	57900	55560	53220
<b>KC1000M2</b> Compressor Model <b>06DA-328</b>	40	140950	132620	128450	123820	119650
	30	117170	109330	105820	102310	98800
	25	105250	98780	95570	92370	89160
	20	94920	88750	85830	82900	79990
	10	75600	70540	68130	65730	63330
<b>KC1500M2</b> Compressor Model <b>06DA537</b>	40	187350	174870	169300	164330	158740
	30	155850	146250	141500	136750	132010
	25	141060	131890	128000	123650	118950
	20	127040	118690	114730	110790	106850
	10	101490	94610	91350	88090	84840
<b>KC2000M2</b> Compressor Model <b>06EA250</b>	40	252160	233500	225110	217140	208780
	30	210090	194860	188130	181030	172910
	25	189490	176480	169980	162860	156360
	20	171070	158900	152410	146490	140570
	10	136050	126570	121440	116570	111700
<b>KC2500M2</b> Compressor Model <b>06EA265</b>	40	322560	301640	291030	279380	268870
	30	270990	253160	242900	233800	224690
	25	246880	229120	220760	212400	204020
	20	223420	207090	199750	192010	184420
	10	119360	166350	159410	153070	146730

# 60Hz COPELAND PERFORMANCE CAPACITY

Application Data Calculated at 65 °F. Return Gas, 0 °F. Liquid Subcooling

## R134a - HIGH/MEDIUM TEMPERATURE - CAPACITY (BTU/HR)

Unit Shipped with polyolester oil

COND. UNIT MODEL *	SAT. SUCTION TEMP. °F	80°F Amb.	90°F Amb.	95°F Amb.	100°F Amb.	105°F Amb.
<b>K290M1</b> Compressor Model LAHA-031E	25	27451	25368	24477	23539	22462
	20	24262	22517	21479	20450	19590
	10	18752	17203	16564	15677	14932
	0	14595	13210	12568	12060	11424
	-5	12297	11107	10716	10162	9613
<b>K300M1</b> Compressor Model 2DF3-030E	40	53130	49350	47660	45780	44100
	30	43370	40250	38800	37400	35980
	25	38990	36100	34900	33500	32190
	20	34150	32350	31050	29800	28660
	10	27540	25590	24490	23490	22480
<b>K600M1</b> Compressor Model 2DA3-060E	40	65350	61340	59080	56980	54630
	30	53840	49980	48170	46390	44600
	25	48420	44840	43200	41570	39940
	20	43080	40000	38560	37050	35550
	10	34360	31800	30430	29160	27880
<b>K620M1</b> Compressor Model 3DA3-060E	40	76270	71760	69020	66700	64380
	30	62740	58990	56890	54680	52730
	25	56670	52960	50930	49130	47330
	20	50840	47320	45530	43870	42200
	10	40500	37460	36000	34540	33080
<b>K630M1</b> Compressor Model 3DA3-060E	40	80020	75290	72570	70130	67390
	30	65780	61700	59160	57140	55120
	25	58920	54920	53150	51290	49420
	20	52770	49060	47430	45430	43700
	10	41920	38910	37160	35650	34150
<b>K750M1</b> Compressor Model 3DB3-075E	40	92800	86540	83750	80970	77830
	30	75890	70890	68520	65800	63420
	25	68350	63730	61210	59020	56830
	20	61020	56680	54660	52640	50690
	10	48420	44860	42930	41170	39420
<b>K900M1</b> Compressor Model 3DF3-090E	40	109450	102320	98740	95590	92240
	30	90330	84140	81310	78770	75260
	25	81020	75680	73180	70110	67500
	20	72650	67420	65020	62610	60220
	10	57590	53580	51430	49390	47350
<b>K1000M1</b> Compressor Model 3DS3-100E	40	119340	112150	107910	104270	100620
	30	98530	91920	88670	85540	82420
	25	88300	82690	79670	76450	73560
	20	79290	73870	70920	68250	65600
	10	63220	58450	56090	53850	51600
<b>K1010M1</b> Compressor Model 4DA3-100E	40	133100	124030	119560	114600	110300
	30	106680	99430	96040	92690	89320
	25	94800	88380	84580	82520	79220
	20	83600	78460	75420	72810	70240
	10	66150	61690	59490	57420	55340
<b>K1500M1</b> Compressor Model 4DH3-150E	40	172190	159850	153840	147260	141320
	30	141050	131450	126200	121230	115730
	25	126910	118200	112950	108400	103890
	20	113640	104880	100740	96660	92580

\* COMPRESSOR MODEL SHOWN IS FOR 208-230/3/60, EXACT MODEL MAY VARY WITH OTHER VOLTAGES.

# 60Hz CARLYLE PERFORMANCE CAPACITY

Application Data Calculated at 65 °F. Return Gas, 0 °F. Liquid Subcooling

## R134a - HIGH/MEDIUM TEMPERATURE - CAPACITY (BTU/HR)

Unit Shipped with polyolester oil

COND. UNIT MODEL	SAT. SUCTION TEMP. °F	80°F Amb.	90°F Amb.	95°F Amb.	100°F Amb.	105°F Amb.
<b>KC290M1 Compressor Model 06DR013</b>	40	39700	36680	35200	33760	32260
	30	31730	29210	27980	26770	25560
	25	28840	25910	24700	23100	22460
	20	25150	22830	21830	20810	19810
	10	18080	17440	16600	15610	14560
	0	14560	12810	12100	11280	10480
<b>KC510M1 Compressor Model 06DR316</b>	40	55630	51280	49600	47870	45830
	30	44310	41120	39740	38130	36670
	25	39800	36900	35100	33900	32200
	20	35380	32560	31440	30360	28940
	10	27450	25380	24270	23390	22310
	0	20900	19280	18420	17710	16860
<b>KC520M1 Compressor Model 06DR718</b>	40	64580	59840	57810	55770	53310
	30	51710	49390	46320	44240	42640
	25	46400	42740	41230	39820	37920
	20	41280	37560	36580	35300	33360
	10	32230	29550	28490	27180	25930
	0	24550	22640	21630	20600	19780
<b>KC600M1 Compressor Model 06DR820</b>	40	71890	66690	64610	62560	60460
	30	58050	54180	52090	50410	48260
	25	51900	48700	46520	45160	43430
	20	46330	43510	41760	40010	38260
	10	36390	33800	32340	30920	29720
	0	27850	25820	24560	23610	22450
<b>KC650M1 Compressor Model 06DR724</b>	40	84390	78620	74930	72020	69180
	30	67800	62320	59930	56980	51110
	25	60710	55720	53120	50210	46910
	20	53620	49180	46630	44640	42270
	10	41260	37550	35490	33880	31930
	0	30980	27600	26270	24610	23020
<b>KC750M1 Compressor Model 06DR228</b>	40	96240	90920	87540	84870	82210
	30	78080	73660	71450	68430	66430
	25	70540	66220	64200	61520	59140
	20	63030	58880	57040	54710	52890
	10	49710	46300	44370	42850	40950
	0	38210	35360	34080	32490	31200
<b>KC1000M1 Compressor Model 06DR337</b>	40	124100	116710	113510	110220	105970
	30	102080	96020	93230	89810	87500
	25	92510	85960	83990	81450	78620
	20	82910	77860	74740	72960	69820
	10	65920	61580	59810	57370	54930
	0	51180	47940	45860	44240	42130

# 60Hz COPELAND PERFORMANCE CAPACITY

Application Data Calculated at 65 °F. Return Gas, 0 °F. Liquid Subcooling

## R404A, R507 - HIGH/MEDIUM TEMPERATURE - CAPACITY (BTU/HR)

Unit Shipped with polyolester oil

COND. UNIT MODEL *	SAT. SUCTION TEMP. °F	80°F Amb.	90°F Amb.	95°F Amb.	100°F Amb.	105°F Amb.
<b>K300M8</b> Compressor Model ERFA-031E	40	41130	37080	35190	33310	31440
	30	35420	32150	30510	28900	27080
	25	32670	29640	28140	26450	24950
	20	29930	27130	25570	24190	22810
	10	24570	22050	20870	19700	18530
<b>K310M8</b> Compressor Model 3RAA-031E	40	48690	43730	40950	38530	36140
	30	42150	37630	35510	37020	38440
	25	39500	34620	32680	33410	31300
	20	35240	31600	29796	28520	26010
	10	28650	25418	23890	22380	20870
<b>K500M8</b> Compressor Model 2DC3-050E	40	67020	61040	58050	55490	52530
	30	55930	50910	48710	46230	43750
	25	50910	46340	44070	41810	39550
	20	45870	41720	39390	37610	35320
	10	36850	33460	31780	29910	28220
<b>K510M8</b> Compressor Model 2DD3-050E	40	77270	70890	66980	64100	60240
	30	65450	59670	56790	53910	50620
	25	59240	53930	51290	48660	46390
	20	53920	49093	46690	43990	41920
	10	43610	39680	37720	35530	33560
<b>K750M8</b> Compressor Model 2DL3-075E	40	97440	88570	84510	80920	76910
	30	81570	74450	71390	68010	63700
	25	73920	67990	64080	60950	57880
	20	67180	60800	57950	55470	52340
	10	54610	49600	47290	44750	42430
<b>K760M8</b> Compressor Model 3DA3-075E	40	127560	117140	111920	107380	102240
	30	108110	99570	94080	90320	85520
	25	98160	89730	86320	81990	78670
	20	88470	81500	78000	74560	71550
	10	72710	66780	63970	61180	58360
<b>K1000M8</b> Compressor Model 3DB3-100E	40	150250	138650	131750	126450	120370
	30	129890	117010	112470	107350	100770
	25	116390	107510	102830	96700	92060
	20	106480	96690	92350	88120	84450
	10	87870	80200	76250	72730	69180
<b>K1500M8</b> Compressor Model 3DS3-150E	40	199090	183460	172450	167830	155810
	30	170590	155380	148360	141370	133230
	25	156330	142410	136010	128610	123290
	20	140900	129150	123280	118370	112600
	10	117170	107560	102160	97400	92610
<b>K2000M8</b> Compressor Model 4DA3-200E	40	226250	206050	197300	187290	177310
	30	192910	174500	165820	158230	149620
	25	175330	160160	152150	144170	136210
	20	161800	146700	139250	131800	124360
	10	130540	118110	111930	105060	98830
<b>K2500M8</b> Compressor Model 4DH3-250E	40	267590	256900	233970	223010	213710
	30	231730	211100	201460	193250	182090
	25	212110	195400	186500	176240	168790
	20	195230	178700	169200	162300	154140
	10	160940	146980	140050	132220	125250
<b>K3000M8</b> Compressor Model 4DJ3-300E	40	315130	290520	278640	260890	245030
	30	268170	244600	232890	223380	209560
	25	249740	224585	215700	203010	194310
	20	225290	205380	195300	187190	177390
	10	187340	170850	161410	153240	146380

\* COMPRESSOR MODEL SHOWN IS FOR 208-230/3/60, EXACT MODEL MAY VARY WITH OTHER VOLTAGES.

# 60Hz COPELAND PERFORMANCE CAPACITY

Application Data Calculated at 65 °F. Return Gas, 0 °F. Liquid Subcooling

## R404A / R507 - LOW TEMPERATURE - CAPACITY (BTU/HR)

Unit Shipped with polyolester oil

COND. UNIT MODEL *	SAT. SUCTION TEMP. °F	80°F Amb.	90°F Amb.	95°F Amb.	100°F Amb.	105°F Amb.
<b>K300L6</b> Compressor Model <b>LAHA-032E</b>	0	26800	24500	23200	21900	20800
	-10	21300	19100	18100	17000	15800
	-20	16100	14200	13300	12300	11400
	-30	11700	10200	9500	8800	8000
	-40	7800	6700	6199	5600	5000
<b>K350L6</b> Compressor Model <b>2DF3-030E</b>	0	35400	31880	30400	28380	26670
	-10	28530	25880	24270	23060	21660
	-20	22370	20040	18880	17740	16600
	-30	16980	14980	13990	13010	12040
	-40	12920	10990	10060	9140	8310
<b>K400L6</b> Compressor Model <b>2DL3-040E</b>	0	40980	37530	35400	33230	31400
	-10	33180	30010	28440	27100	25550
	-20	26220	23700	22360	21040	19730
	-30	20240	17940	16800	15680	14550
	-40	15360	13330	12320	11250	10340
<b>K600L6</b> Compressor Model <b>2DA3-060E</b>	0	47560	42860	41050	38520	36770
	-10	38520	34900	33100	31570	29790
	-20	30720	27670	26160	24670	23180
	-30	23710	21100	19810	18530	17260
	-40	18050	15720	14570	13510	12380
<b>K610L6</b> Compressor Model <b>3DA3-060E</b>	0	54770	50700	47980	45150	42790
	-10	45090	40810	39170	37230	35300
	-20	35510	32460	30850	29250	27670
	-30	27670	24880	23500	22140	20790
	-40	21470	18780	17520	16260	15120
<b>K750L6</b> Compressor Model <b>3DB3-075E</b>	0	64780	59130	56340	53030	50260
	-10	53020	48070	46170	43920	41690
	-20	42060	38310	36460	34630	32810
	-30	32610	29390	27810	26250	24700
	-40	25200	22210	20740	19290	17960
<b>K900L6</b> Compressor Model <b>3DF3-090E</b>	0	81080	74920	71630	67280	64050
	-10	66490	60240	57480	54780	52120
	-20	52060	47750	45500	43260	41040
	-30	40490	36610	34690	32790	30910
	-40	31300	27820	26100	24400	22720
<b>K1000L6</b> Compressor Model <b>3DS3-100E</b>	0	91430	84480	80790	76550	73470
	-10	74810	68970	65510	62400	59750
	-20	59590	54620	52010	49420	46860
	-30	46600	42040	39790	37560	35360
	-40	35970	31710	29680	27800	25800
<b>K1500L6</b> Compressor Model <b>4DL3-150E</b>	0	120540	110870	105690	98850	93750
	-10	100649	90610	86250	81930	77670
	-20	80580	72810	69610	66010	62440
	-30	63100	56910	53870	50840	47850
	-40	48460	43110	40480	37870	35290
<b>K2000L6</b> Compressor Model <b>4DT3-220E</b>	0	143230	130420	122310	115450	108610
	-10	119560	108000	103120	97410	91730
	-20	97330	87660	82880	78130	73430
	-30	76100	67870	63800	59770	55770
	-40	58040	50340	46700	43170	39780
<b>K2500L6</b> Compressor Model <b>6DL3-270E</b>	0	180310	165270	157740	150220	142700
	-10	147500	135160	128990	122820	116650
	-20	117100	106890	101780	96670	91560
	-30	90540	82470	78430	74390	70360
	-40	68120	61190	57720	54250	50790
<b>K3000L6</b> Compressor Model <b>6DT3-300E</b>	0	206430	187520	178150	167020	157830
	-10	168400	152740	146160	138430	130760
	-20	135310	122140	115630	109180	102800
	-30	105310	93940	88320	82750	77250
	-40	81210	70620	65480	60870	55830

\* COMPRESSOR MODEL SHOWN IS FOR 208-230/3/60, EXACT MODEL MAY VARY WITH OTHER VOLTAGES.



# 60Hz CARLYLE PERFORMANCE CAPACITY

Application Data Calculated at 65 °F. Return Gas, 0 °F. Liquid Subcooling

## R404A / R507 - LOW TEMPERATURE - CAPACITY (BTU/HR)

Unit Shipped with polyolester oil

COND. UNIT MODEL	SAT. SUCTION TEMP. °F	80°F Amb.	90°F Amb.	95°F Amb.	100°F Amb.	105°F Amb.
<b>KC300L6</b> Compressor Model <b>06DR013</b>	-5	29079	25794	24290	22773	21547
	-10	22650	20023	18735	17624	16334
	-20	17068	14887	13809	12740	11680
	-30	12220	10431	9548	8672	7804
	-40	8559	7093	6366	5699	4978
<b>KC350L6</b> Compressor Model <b>06DR316</b>	-5	34280	31050	29720	27910	26580
	-10	30761	27574	26311	24852	23405
	-20	23651	21235	19970	18715	17473
	-30	17794	15586	14495	13411	12341
	-40	13019	11052	10077	9142	8244
<b>KC400L6</b> Compressor Model <b>06DR718</b>	-5	44840	41087	39215	37544	36184
	-10	36007	32424	30883	29368	27851
	-20	28039	25491	24145	22813	21494
	-30	21592	19200	18022	16860	15703
	-40	16205	14095	13054	12024	11001
<b>KC600L6</b> Compressor Model <b>06DR820</b>	-5	51233	47328	44858	42775	41075
	-10	41197	37054	35258	33574	31707
	-20	32026	28728	27098	25483	23884
	-30	24109	21269	19869	18482	17108
	-40	17680	15227	13995	12767	11736
<b>KC610L6</b> Compressor Model <b>06DR724</b>	-5	50013	44852	42545	40250	38318
	-10	44586	39840	37990	35823	33680
	-20	34201	30621	28728	26851	24993
	-30	25664	22323	20674	19041	17424
	-40	18585	15548	14112	12681	11417
<b>KC750L6</b> Compressor Model <b>06DR228</b>	-5	61050	55911	52919	50405	48373
	-10	54847	49614	47630	45268	42931
	-20	43180	38886	36766	34663	32593
	-30	32857	28984	27076	25186	23317
	-40	24162	20533	18739	17096	15532
<b>KC900L6</b> Compressor Model <b>06DR337</b>	-5	79100	73400	70020	65190	61530
	-10	74304	66896	63237	60212	56582
	-20	58667	52935	49872	46840	43826
	-30	45742	40577	38031	35509	33014
	-40	35407	30932	29022	26904	24796
<b>KC1500L6</b> Compressor Model <b>06ER150</b>	-5	119400	109000	104970	99550	94890
	-10	106252	96636	92205	88382	84027
	-20	81204	72878	68774	64712	60693
	-30	60735	52102	47845	43626	39438
	-40	46160	35875	31498	26213	21582
<b>KC2000L6</b> Compressor Model <b>06ER165</b>	-5	145659	129477	121956	114483	107928
	-10	129539	115425	109184	102232	95334
	-20	101610	89457	83450	77492	71581
	-30	76689	66268	61120	56024	50959
	-40	57046	47808	43376	39186	34886
<b>KC2500L6</b> Compressor Model <b>06ER175</b>	-5	170164	153132	146578	137708	130054
	-10	151652	135856	128591	122387	115231
	-20	117167	104266	97901	91596	85350
	-30	87234	75857	70253	64715	59214
	-40	62771	52526	47553	42801	38141
<b>KC3000L6</b> Compressor Model <b>06ER099</b>	-5	201829	180403	170729	161062	153035
	-10	180376	162006	154260	145224	136254
	-20	143501	128249	120218	112264	104290
	-30	111702	97285	90175	83136	76140
	-40	84816	71542	65193	59192	53265

# 60Hz COPELAND PERFORMANCE CAPACITY

Application Data Calculated at 65 °F. Return Gas, 0 °F. Liquid Subcooling

## R22 - LOW TEMPERATURE - CAPACITY (BTU/HR)

Unit Shipped with mineral oil - All Models (except K300L2) utilize Copeland's Demand Cooling™

COND. UNIT MODEL *	SAT. SUCTION TEMP. °F	80°F Amb.	90°F Amb.	95°F Amb.	100°F Amb.	105°F Amb.
<b>K300L2</b> Compressor Model <b>LAHA-0310</b>	0	25090	23000	21930	20890	19840
	-10	19440	17690	16800	15920	15050
	-20	14440	12990	12250	11530	10800
	-30	10280	9070	8460	7850	7240
	-40	7130	6100	5580	5060	4540
<b>K350L2</b> Compressor Model <b>2DF3-0300</b>	0	32540	29620	28190	26760	25330
	-10	25280	22920	21700	20510	19320
	-20	18990	16980	15960	14960	13950
	-30	13950	12170	11280	10390	9500
	-40	10480	8770	7920	7070	6220
<b>K400L2</b> Compressor Model <b>2DL3-0400</b>	0	37400	34390	32940	31460	29950
	-10	29600	26910	25540	24210	22880
	-20	22660	20290	19070	17890	16690
	-30	16800	14710	13650	12600	11550
	-40	12150	10340	9430	8520	7610
<b>K600L2</b> Compressor Model <b>2DA3-0600</b>	0	44080	40720	38970	37280	35590
	-10	34870	31810	30230	28690	27160
	-20	26710	23970	22570	21190	19840
	-30	19720	17330	16130	14940	13740
	-40	14050	12050	11050	10050	9050
<b>K610L2</b> Compressor Model <b>3DA3-0600</b>	0	50210	46200	44290	42390	40500
	-10	39700	36360	34560	32920	31270
	-20	30310	27500	25930	24470	23020
	-30	22720	20140	18710	17380	16050
	-40	17090	14590	13300	11950	10720
<b>K750L2</b> Compressor Model <b>3DB3-0750</b>	0	61320	56560	54310	51980	49660
	-10	49230	45120	42990	40910	38870
	-20	38580	34830	32910	31020	29160
	-30	29650	26120	24360	22600	20850
	-40	22680	19300	17620	15940	14250
<b>K900L2</b> Compressor Model <b>3DF3-0900</b>	0	76000	70440	67820	65210	62600
	-10	60620	55690	53170	50690	48250
	-20	47290	42680	40350	38060	35800
	-30	35730	31580	29540	27490	25440
	-40	26140	22620	20860	19110	17350
<b>K1000L2</b> Compressor Model <b>3DS3-1000</b>	0	84220	78360	75390	72490	69590
	-10	67170	61820	59080	56400	53750
	-20	52200	47260	44780	42330	39920
	-30	39320	34910	32720	30520	28350
	-40	28810	25000	23100	21210	19310
<b>K1500L2</b> Compressor Model <b>4DL3-1500</b>	0	110180	101900	98000	94300	90400
	-10	88400	81100	77180	73500	69900
	-20	68800	62200	58600	55300	52000
	-30	52300	46100	42800	39700	35600
	-40	38900	33100	30100	27200	24200
<b>K2000L2</b> Compressor Model <b>4DT3-2200</b>	0	132000	122680	118250	113330	108870
	-10	104870	96990	92960	88990	85000
	-20	81500	74470	70580	67120	63570
	-30	61700	55190	51940	48780	45530
	-40	46600	40500	37470	34400	31340
<b>K2500L2</b> Compressor Model <b>6DL3-2700</b>	0	166480	155910	150620	145330	140050
	-10	131710	122430	117790	113150	108510
	-20	102520	94280	90160	86040	81930
	-30	77360	70890	67650	64410	61180
	-40	54930	48940	45940	42950	39950
<b>K3000L2</b> Compressor Model <b>6DT3-3000</b>	0	197300	182500	175560	168300	160200
	-10	157650	144600	138300	132080	126000
	-20	122000	111300	105650	100400	94960
	-30	92460	82780	77770	73100	68280
	-40	69170	60340	55940	51500	47060

\* COMPRESSOR MODEL SHOWN IS FOR 208-230/3/60, EXACT MODEL MAY VARY WITH OTHER VOLTAGES.

# 60Hz COPELAND PERFORMANCE CAPACITY

Application Data Calculated at 65 °F. Return Gas, 0 °F. Liquid Subcooling

## R502 - LOW TEMPERATURE - CAPACITY (BTU/HR)

Unit Shipped with mineral oil

COND. UNIT MODEL *	SAT. SUCTION TEMP. °F	80°F Amb.	90°F Amb.	95°F Amb.	100°F Amb.	105°F Amb.
<b>K300L5</b> Compressor Model LAH1-0310	0	26850	24130	22860	21590	20380
	-10	21220	19100	18050	17000	15900
	-20	16210	14420	13490	12590	11700
	-30	12270	10640	9830	9030	8230
	-40	9680	8100	7320	6530	5750
<b>K350L5</b> Compressor Model 2DF3-0300	0	35210	32100	30570	29040	27520
	-10	28350	25680	24360	22980	21650
	-20	22080	19750	18590	17440	16290
	-30	16680	14650	13640	12640	11650
	-40	12390	10610	9720	8840	7960
<b>K400L5</b> Compressor Model 2DL3-0400	0	39610	36160	34530	32920	31310
	-10	32280	29580	28250	26850	25500
	-20	25630	23360	22220	21100	19990
	-30	19870	17890	16910	15940	14980
	-40	15330	13510	12610	11700	10800
<b>K600L5</b> Compressor Model 2DA3-0600	0	46290	42750	41000	39270	37550
	-10	37710	34780	33320	31800	30340
	-20	29930	27430	26190	24960	23730
	-30	23360	21170	20090	19020	17960
	-40	18300	16310	15310	14320	12240
<b>K610L5</b> Compressor Model 3DA3-0600	0	54200	50050	47900	45870	43720
	-10	44260	40620	38720	36880	35040
	-20	35400	31990	30350	28710	27100
	-30	27430	24560	23030	21570	20170
	-40	20100	18420	17100	15780	14470
<b>K750L5</b> Compressor Model 3DB3-0750	0	64430	60000	57810	55650	53350
	-10	52850	49850	46930	44980	43040
	-20	42290	38780	37040	35320	33610
	-30	33090	30010	28460	26930	25400
	-40	25750	22640	21560	20170	18790
<b>K900L5</b> Compressor Model 3DF3-0900	0	78690	72460	69540	66630	63740
	-10	64610	59170	56620	54000	51440
	-20	51490	46920	44660	42400	40140
	-30	40320	36240	34220	32220	30230
	-40	31200	27540	25720	23910	22100
<b>K1000L5</b> Compressor Model 3DS3-1000	0	89410	83120	80010	76920	73850
	-10	72960	67450	64720	61940	59210
	-20	58160	53350	50870	48460	46060
	-30	45460	41140	39010	36900	34790
	-40	35220	31430	29560	27690	25830
<b>K1500L5</b> Compressor Model 4DL3-1500	0	116800	108870	104840	100370	96350
	-10	95260	87670	84100	80450	76980
	-20	75600	69200	65840	62600	59480
	-30	59200	53230	50290	47460	44540
	-40	46000	40690	38000	35370	32700
<b>K2000L5</b> Compressor Model 4DT3-2200	0	138120	128000	123280	118700	113940
	-10	114090	105800	101540	96990	92750
	-20	93030	85140	81460	77730	73950
	-30	74500	67700	63990	60600	57240
	-40	59510	53280	50170	47070	43980
<b>K2500L5</b> Compressor Model 6DL3-2700	0	183560	170840	164490	158130	151780
	-10	150120	139210	133760	128300	122850
	-20	120310	111170	106600	102030	97470
	-30	94160	86520	82690	78870	75040
	-40	70110	63700	60490	57290	54080
<b>K3000L5</b> Compressor Model 6DT3-3000	0	206270	189090	179740	171170	162490
	-10	168540	153700	146320	138190	130810
	-20	134460	121830	114870	108580	102360
	-30	104130	93440	88040	82830	77540
	-40	79890	70940	66500	62080	57660

\* COMPRESSOR MODEL SHOWN IS FOR 208-230/3/60, EXACT MODEL MAY VARY WITH OTHER VOLTAGES.

# 60Hz CARLYLE PERFORMANCE CAPACITY

Application Data Calculated at 65 °F. Return Gas, 0 °F. Liquid Subcooling

## R502 - LOW TEMPERATURE - CAPACITY (BTU/HR)

Unit Shipped with mineral oil

COND. UNIT MODEL	SAT. SUCTION TEMP. °F	80°F Amb.	90°F Amb.	95°F Amb.	100°F Amb.	105°F Amb.
<b>KC350L5</b> Compressor Model <b>06DR316</b>	0	36430	33390	31810	30220	28660
	-10	29520	26700	25250	23890	2530
	-20	23080	20650	19440	18240	17040
	-30	1760	15510	14470	13430	12360
	-40	13000	11310	10450	9580	8720
<b>KC400L5</b> Compressor Model <b>06DR718</b>	0	42870	39730	37960	36410	34800
	-10	34720	32050	30670	29330	28000
	-20	27600	25250	24050	22890	21740
	-30	21440	19430	18370	17350	16340
	-40	16760	14920	13950	13020	12090
<b>KC600L5</b> Compressor Model <b>06DR820</b>	0	48430	44650	42660	40790	38940
	-10	39230	35930	34340	32650	31040
	-20	30860	28150	26700	25330	23970
	-30	23800	21440	20260	19090	17930
	-40	18360	16340	15310	14480	13230
<b>KC610L5</b> Compressor Model <b>06DR724</b>	0	55290	51390	49340	47420	45370
	-10	44840	41240	39360	37550	35750
	-20	35560	32030	30340	28650	26960
	-30	27440	24200	22510	20970	19320
	-40	20850	17800	16240	14680	13120
<b>KC750L5</b> Compressor Model <b>06DR228</b>	0	65940	60980	58380	55920	53310
	-10	54700	49370	46380	43620	40900
	-20	44610	39160	36310	33580	30940
	-30	34980	30030	27720	25300	22900
	-40	25040	21630	19930	18230	16540
<b>KC900L5</b> Compressor Model <b>06DR337</b>	0	87530	80780	77400	73720	70340
	-10	71590	65560	62660	59810	57010
	-20	57000	52090	49570	47150	44800
	-30	44620	40450	38310	36320	34270
	-40	34820	31270	29460	27710	26010
<b>KC1000L5</b> Compressor Model <b>06DR337</b>	0	91700	83930	80430	76950	73500
	-10	74150	68150	65080	62050	59200
	-20	58760	53790	51170	48650	46240
	-30	45890	41560	39360	37250	35210
	-40	35650	32010	30210	28410	26630
<b>KC1500L5</b> Compressor Model <b>06ER150</b>	0	117970	108960	104390	99420	94860
	-10	95800	87660	83840	79890	76160
	-20	75390	68790	65340	62020	58810
	-30	58360	52470	49440	46600	43690
	-40	44960	39590	36910	34240	31570
<b>KC2000L5</b> Compressor Model <b>06ER165</b>	0	145740	134400	128180	122520	116760
	-10	118080	107950	102690	97100	92120
	-20	93550	83950	79390	74970	70410
	-30	71950	63880	59730	55830	51820
	-40	54560	47490	44030	40660	37180
<b>KC2500L5</b> Compressor Model <b>06ER175</b>	0	177920	159720	151260	142640	133390
	-10	143290	129260	122560	115860	109240
	-20	111530	101140	95960	90800	85720
	-30	85510	77000	72720	68590	64400
	-40	66720	58780	54840	50910	46990
<b>KC3000L5</b> Compressor Model <b>06ER099</b>	0	217240	200290	191130	182830	174280
	-10	177940	163030	155620	148080	140660
	-20	142670	128780	122180	115620	109050
	-30	111110	99420	93500	87730	81900
	-40	85670	75240	70050	64870	59680

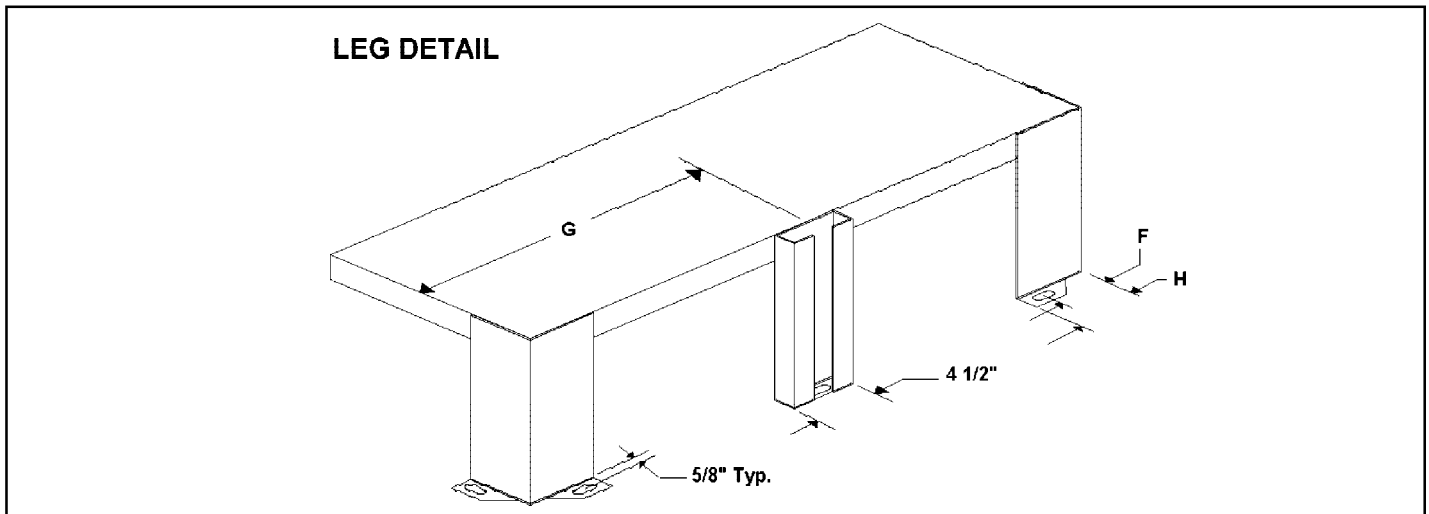
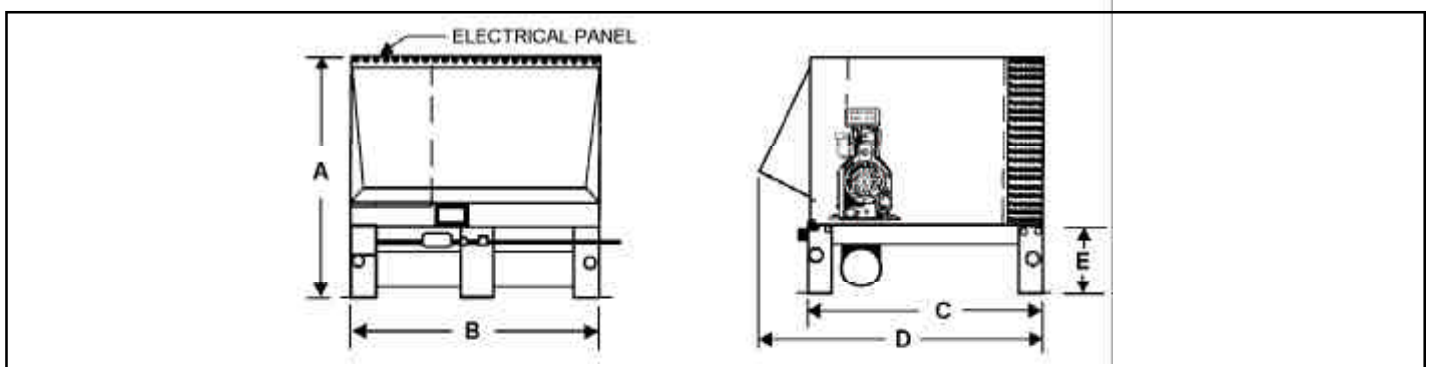
# K - LINE DIMENSIONAL DATA

CONDENSING UNIT MODEL NUMBERS	DIMENSIONS							
	A	B	C	D	E	F	G †	H
K(C)290M1, K300M8, KC300M2, K300L2, K300L5, K(C)300L6	35 1/2"	38 1/4"	35 1/4"	46"	9 13/16"	2 1/8"	N/A	3 1/2"
K310M8, K350L2, K(C)350L5, K(C)350L6, K400L2, K(C)400L5, K(C)400L6	35 1/2"	48 1/4"	35 1/4"	46"	9 13/16"	2 1/8"	N/A	3 1/2"
K300M1, K500M8, KC500M2, KC510M1 K510M8, KC520M1, K(C)600M1, K600L2, K(C)600L5, K(C)600L6, K610L2, K(C)610L5, K(C)610L6, K620M1, K750L2, K(C)750L5, K(C)750L6,	35 1/2"	58 1/4"	35 1/4"	46"	9 13/16"	2 1/8"	N/A	3 1/2"
K630M1, KC650M1, K(C)750M1, K750M8, KC750M2, K760M8, KC760M2, K900M1, K900L2, K(C)900L5, K(C)900L6, K(C)1000M1	39"	68 1/4"	42 1/4"	55"	9 13/16"	2 1/8"	34 1/8"	3 1/2"
K1000M8, K(C)1000M2, K1000L2, K(C)1000L5, K1000L6, K1010M1, K1500M1, K1500M8, KC1500M2, K1500L2, K(C)1500L5, K(C)1500L6, K2000L2, K(C)2000L5, K(C)2000L6	49"	68 1/4"	42 1/4"	57"	9 13/16"	2 1/8"	34 1/8"	3 1/2"
K2000M8, KC2000M2, K2500M8, KC2500M2, K2500L2, K(C)2500L5, K(C)2500L6, K3000M8, K3000L2, K(C)3000L5, K(C)3000L6	49"	98 1/4"	46 1/4"	66 1/4"	9 13/16"	2 1/8"	49 1/8"	3 1/2"
K2500M8, KC2500M2, K2500L2, K(C)2500L5, K(C)2500L6, K3000M8, KC3000M2, K3000L2, K(C)3000L5, K(C)3000L6	**53"	98 1/4"	46 1/4"	66 1/4"	13 13/16"	4"	49 1/8"	6"

\*\* For outdoor models only, dimension 'A' is increased due to larger receiver

\* Indoor units only

† Center leg not required for all models



# K - LINE SPECIFICATIONS

MODEL	COMPRESSOR *	CONNECTIONS		RECEIVER CAPACITY 90% FULL (LBS)		SHIPPING Wt. (LBS)
		LIQUID (OD)	SUCTION (OD)	INDOOR	OUTDOOR	
K290M1 - HS2, HT3, HT4	LAHB-031E	1/2	1 1/8	29	29	540
K300M1 - HS2, HT3, HT4, HT5	2DF3-030E	1/2	1 1/8	44	70	788
K600M1 - HT3, HT4, HT5	2DA3-060E	5/8	1 3/8	44	70	810
K620M1 - HT3, HT4, HT5	3DA3-060E	5/8	1 3/8	44	70	880
K630M1 - HT3, HT4, HT5	3DA3-060E	5/8	1 3/8	70	70	1090
K750M1 - HT3, HT4, HT5	3DB3-075E	5/8	1 3/8	70	70	1090
K900M1 - HT3, HT4, HT5	3DF3-090E	5/8	1 3/8	70	82	1140
K1000M1 - HT3, HT4, HT5	3DS3-100E	5/8	1 3/8	82	119	1186
K1010M1 - HT3, HT4, HT5	4DA3-100E	7/8	1 5/8	82	119	1210
K1500M1 - HT3, HT4, HT5	4DH3-150E	7/8	1 5/8	82	119	1335
KC290M1 - HS2, HT3, HT4, HT5	06DR013	1/2	1 1/8	29	29	435
KC510M1 - HT3, HT4, HT5	06DR316	1/2	1 1/8	44	71	650
KC520M1 - HT3, HT4, HT5	06DR718	1/2	1 1/8	44	71	765
KC600M1 - HT3, HT4, HT5	06DR820	5/8	1 3/8	44	70	765
KC650M1 - HT3, HT4, HT5	06DR724	5/8	1 3/8	70	70	780
KC750M1 - HT3, HT4, HT5	06DR228	5/8	1 3/8	70	70	840
KC1000M1 - HT3, HT4, HT5	06DR337	7/8	1 5/8	82	119	1240

MODEL	COMPRESSOR *	CONNECTIONS		RECEIVER CAPACITY 90% FULL (LBS)				SHIPPING Wt. (LBS)
		LIQUID (OD)	SUCTION (OD)	INDOOR		OUTDOOR		
				R22	R404A/R507	R22	R404A/R507	
K300M8 - HS2, HT3, HT4, HT5	ERFA-031E	1/2	1 1/8	29	25	29	25	450
K310M8 - HT3, HT4	3RAA-031E	5/8	1 1/8	35	30	35	30	540
K500M8 - HS2, HT3, HT4, HT5	2DC3-050E	5/8	1 3/8	44	38	70	61	730
K510M8 - HT3, HT4, HT5	2DD3-050E	5/8	1 3/8	44	38	70	61	730
K750M8 - HT3, HT4, HT5	2DL3-075E	5/8	1 3/8	44	38	70	61	890
K760M8 - HT3, HT4, HT5	3DA3-075E	5/8	1 3/8	70	38	70	61	1000
K1000M8 - HT3, HT4, HT5	3DB3-100E	5/8	1 3/8	70	72	95	72	1000
K1500M8 - HT3, HT4, HT5	3DS3-150E	7/8	1 5/8	82	72	119	104	1075
K2000M8 - HT3, HT4, HT5	4DA3-200E	7/8	1 5/8	119	72	119	104	1417
K2500M8 - HT3, HT4, HT5	4DH3-250E	1 1/8	2 1/8	119	82	181	125	1470
K3000M8 - HT3, HT4, HT5	4DJ3-300E	1 1/8	2 1/8	119	104	181	125	1475

\* COMPRESSOR MODEL SHOWN IS FOR 208-230/3/60, EXACT MODEL MAY VARY WITH OTHER VOLTAGES.

## K - LINE SPECIFICATIONS

MODEL	COMPRESSOR *	CONNECTIONS		RECEIVER CAPACITY 90% FULL (LBS)		SHIPPING Wt. (LBS)
		LIQUID (OD)	SUCTION (OD)	INDOOR	OUTDOOR	
K300L2 - HS2,HT3,HT4,HT5	LAHA-0310	1/2	1 1/8	29	29	540
K350L2 - HS2,HT3,HT4,HT5	2DF3-0300	1/2	1 1/8	35	35	685
K400L2 - HT3,HT4,HT5	2DL3-0400	1/2	1 1/8	35	35	685
K600L2 - HT3,HT4,HT5	2DA3-0600	5/8	1 3/8	44	70	788
K610L2 - HT3,HT4,HT5	3DA3-0600	5/8	1 3/8	44	70	878
K750L2 - HT3,HT4,HT5	3DB3-0750	5/8	1 3/8	70	70	880
K900L2 - HT3,HT4,HT5	3DF3-0900	5/8	1 3/8	70	70	1090
K1000L2 - HT3,HT4,HT5	3DS3-1000	5/8	1 3/8	70	95	1125
K1500L2 - HT3,HT4,HT5	4DL3-1500	7/8	1 5/8	82	119	1260
K2000L2 - HT3,HT4,HT5	4DT3-2200	1 1/8	2 1/8	119	119	1330
K2500L2 - HT3,HT4,HT5	6DL3-2700	1 1/8	2 1/8	119	181	1473
K3000L2 - HT3,HT4,HT5	6DT3-3000	1 1/8	2 1/8	119	181	1805
K300L5 - HS2,HT3,HT4,HT5	LAHA-0310	1/2	1 1/8	29	29	540
K350L5 - HS2,HT3,HT4,HT5	2DF3-0300	1/2	1 1/8	35	35	685
K400L5 - HT3,HT4,HT5	2DL3-0400	1/2	1 1/8	35	35	685
K600L5 - HT3,HT4,HT5	2DA3-0600	5/8	1 3/8	44	44	760
K610L5 - HT3,HT4,HT5	3DA3-0600	5/8	1 3/8	44	44	850
K750L5 - HT3,HT4,HT5	3DB3-0750	5/8	1 3/8	44	71	880
K900L5 - HT3,HT4,HT5	3DF3-0900	5/8	1 3/8	71	71	1090
K1000L5 - HT3,HT4,HT5	3DS3-1000	5/8	1 3/8	83	83	1125
K1500L5 - HT3,HT4,HT5	4DL3-1500	7/8	1 5/8	83	120	1260
K2000L5 - HT3,HT4,HT5	4DT3-2200	1 1/8	2 1/8	83	120	1330
K2500L5 - HT3,HT4,HT5	6DL3-2700	1 1/8	2 1/8	120	145	1443
K3000L5 - HT3,HT4,HT5	6DT3-3000	1 1/8	2 1/8	120	145	1775

\* COMPRESSOR MODEL SHOWN IS FOR 208-230/3/60, EXACT MODEL MAY VARY WITH OTHER VOLTAGES.

## K - LINE SPECIFICATIONS

MODEL	COMPRESSOR *	CONNECTIONS		RECEIVER CAPACITY 90% FULL (LBS)		SHIPPING Wt. (LBS)
		LIQUID (OD)	SUCTION (OD)	INDOOR	OUTDOOR	
K300L6 - HS2,HT3,HT4	LAHA-032E	1/2	1 1/8	25	25	540
K350L6 - HT3,HT4,HT5	2DF3-030E	1/2	1 1/8	30	30	685
K400L6 - HT3,HT4,HT5	2DL3-040E	1/2	1 1/8	30	30	685
K600L6 - HT3,HT4,HT5	2DA3-060E	5/8	1 3/8	38	38	760
K610L6 - HT3,HT4,HT5	3DA3-060E	5/8	1 3/8	38	38	850
K750L6 - HT3,HT4,HT5	3DB3-075E	5/8	1 3/8	38	61	880
K900L6 - HT3,HT4,HT5	3DF3-090E	5/8	1 3/8	61	61	1090
K1000L6 - HT3,HT4,HT5	3DS3-100E	5/8	1 3/8	72	72	1125
K1500L6 - HT3,HT4,HT5	4DL3-150E	7/8	1 5/8	72	104	1260
K2000L6 - HT3,HT4,HT5	4DT3-220E	1 1/8	2 1/8	72	104	1330
K2500L6 - HT3,HT4,HT5	6DL3-270E	1 1/8	2 1/8	104	125	1443
K3000L6 - HT3,HT4,HT5	6DT3-300E	1 1/8	2 1/8	104	125	1775
KC300L6 - HS2,HT3,HT4,HT5	06DR013	1/2	1 1/8	25	25	400
KC350L6 - HT3,HT4,HT5	06DR316	1/2	1 1/8	30	30	425
KC400L6 - HT3,HT4,HT5	06DR718	1/2	1 1/8	30	30	450
KC600L6 - HT3,HT4,HT5	06DR820	5/8	1 3/8	38	38	655
KC610L6 - HT3,HT4,HT5	06DR724	5/8	1 3/8	38	38	690
KC750L6 - HT3,HT4,HT5	06DR228	5/8	1 3/8	38	61	750
KC900L6 - HT3,HT4,HT5	06DR337	5/8	1 3/8	61	61	800
KC1500L6 - HT3,HT4,HT5	06ER150	5/8	1 5/8	72	104	1225
KC2000L6 - HT3,HT4,HT5	06ER165	1 1/8	2 1/8	72	104	1500
KC2500L6 - HT3,HT4,HT5	06ER175	1 1/8	2 1/8	104	125	1500
KC3000L6 - HT3,HT4,HT5	06ER099	1 1/8	2 1/8	104	125	1500

\* COMPRESSOR MODEL SHOWN IS FOR 208-230/3/60, EXACT MODEL MAY VARY WITH OTHER VOLTAGES.



# K - LINE ELECTRICAL SPECIFICATIONS

MODEL	POWER SUPPLY	COMPRESSOR		CONDENSER FANS			TOTAL AMPS	M.C.A.	M.O.P.
		RLA	LRA	QTY	Hp @	FLA @			
K290M1 - HS2	208-230/1/60	16.6	93	1	1/3	3.2	19.8	24.0	40
K290M1 - HT3	208-230/3/60	8.5	82	1	1/3	3.2	11.7	13.8	20
K290M1 - HT4	460/3/60	6.0	56	1	1/3	1.6	7.6	9.1	15
K300M1 - HS2	208-230/1/60	25.8	125	2	1/2	4.6	35.0	41.5	60
K300M1 - HT3	208-230/3/60	16.8	102	2	1/2	4.6	26.0	30.2	40
K300M1 - HT4	460/3/60	8.1	52	2	1/2	2.3	12.7	14.7	20
K300M1 - HT5	575/3/60	6.7	41	2	1/2	2.3	11.3	13.0	20
K600M1 - HT3	208-230/3/60	28.8	161	2	1/2	4.6	39.0	45.2	70
K600M1 - HT4	460/3/60	10.2	60	2	1/2	2.3	14.8	17.3	25
K600M1 - HT5	575/3/60	9.1	49	2	1/2	2.3	13.7	16.0	25
K620M1 - HT3	208-230/3/60	30.3	150	2	1/2	4.6	39.5	47.1	70
K620M1 - HT4	460/3/60	13.7	77	2	1/2	2.3	18.3	21.7	30
K620M1 - HT5	575/3/60	10.5	62	2	1/2	2.3	15.1	17.9	25
K630M1 - HT3	208-230/3/60	30.3	150	2	3/4	4.2	38.7	46.3	70
K630M1 - HT4	460/3/60	13.7	77	2	3/4	2.1	17.9	21.3	30
K630M1 - HT5	575/3/60	10.5	62	2	3/4	2.1	14.7	17.3	25
K750M1 - HT3	208-230/3/60	31.5	161	2	3/4	4.2	39.9	47.8	80
K750M1 - HT4	460/3/60	16.1	83	2	3/4	2.1	20.3	24.3	40
K750M1 - HT5	575/3/60	11.0	67	2	3/4	2.1	15.2	18.0	30
K900M1 - HT3	208-230/3/60	39.0	215	2	3/4	4.2	47.4	57.2	90
K900M1 - HT4	460/3/60	16.9	106	2	3/4	2.1	21.1	25.3	40
K900M1 - HT5	575/3/60	16.5	84	2	3/4	2.1	20.7	24.8	40
K1000M1 - HT3	208-230/3/60	42.0	215	2	3/4	4.2	50.4	60.9	100
K1000M1 - HT4	460/3/60	18.6	106	2	3/4	2.1	22.8	27.5	40
K1000M1 - HT5	575/3/60	16.8	84	2	3/4	2.1	21.0	25.2	40
K1010M1 - HT3	208-230/3/60	42.0	240	2	3/4	4.2	50.8	60.9	100
K1010M1 - HT4	460/3/60	21.0	120	2	3/4	2.1	25.2	30.5	50
K1010M1 - HT5	575/3/60	17.5	106	2	3/4	2.1	21.7	26.1	40
K1500M1 - HT3	208-230/3/60	58.0	278	2	3/4	4.2	66.4	80.9	125
K1500M1 - HT4	460/3/60	29.0	139	2	3/4	2.1	33.2	40.5	70
K1500M1 - HT5	575/3/60	24.3	113	2	3/4	2.1	28.5	34.6	50

M.O.P. = Maximum Overcurrent Protection

M.C.A. = Minimum Circuit Ampacity

## K - LINE ELECTRICAL SPECIFICATIONS

MODEL	POWER SUPPLY	COMPRESSOR		CONDENSER FANS			TOTAL AMPS	M.C.A.	M.O.P.
		RLA	LRA	QTY	Hp @	FLA @			
KC290M1 - HS2	208-230/1/60	23.4	100	1	1/3	3.2	26.5	32.3	50
KC290M1 - HT3	208-230/3/60	12.4	71	1	1/3	3.2	15.6	18.7	30
KC290M1 - HT4	460/3/60	6.2	35	1	1/3	1.6	7.8	9.4	15
KC290M1 - HT5	575/3/60	5.0	28	1	1/3	1.6	8.2	9.5	15
KC510M1 - HT3	208-230/3/60	19.3	100	2	1/2	4.6	28.5	33.3	50
KC510M1 - HT4	460/3/60	9.7	50	2	1/2	2.3	14.3	16.7	25
KC510M1 - HT5	575/3/60	7.7	40	2	1/2	2.3	12.3	14.2	20
KC520M1 - HT3	208-230/3/60	19.3	100	2	1/2	4.6	28.5	33.3	50
KC520M1 - HT4	460/3/60	9.6	50	2	1/2	2.3	14.2	16.6	25
KC520M1 - HT5	575/3/60	7.7	40	2	1/2	2.3	12.3	14.2	20
KC600M1 - HT3	208-230/3/60	31.4	160	2	1/2	4.6	40.6	48.4	80
KC600M1 - HT4	460/3/60	15.7	80	2	1/2	2.3	20.3	24.2	40
KC600M1 - HT5	575/3/60	12.6	64	2	1/2	2.3	17.2	20.3	30
KC650M1 - HT3	208-230/3/60	31.4	160	2	1/2	4.6	40.6	48.4	80
KC650M1 - HT4	460/3/60	15.7	80	2	1/2	3.2	22.1	26.0	40
KC650M1 - HT5	575/3/60	12.6	64	2	1/2	3.2	19.0	22.2	30
KC750M1 - HT3	208-230/3/60	39.6	198	2	3/4	4.2	48.0	57.9	100
KC750M1 - HT4	460/3/60	19.8	99	2	3/4	2.1	24.0	29.0	50
KC750M1 - HT5	575/3/60	15.9	79	2	3/4	2.1	20.1	24.1	40
KC1000M1 - HT3	208-230/3/60	44.2	228	2	3/4	4.2	52.6	63.7	100
KC1000M1 - HT4	460/3/60	22.1	114	2	3/4	2.1	26.3	31.8	50
KC1000M1 - HT5	575/3/60	17.9	91	2	3/4	2.1	22.1	26.6	40

M.O.P. = Maximum Overcurrent Protection

M.C.A. = Minimum Circuit Ampacity

## K - LINE ELECTRICAL SPECIFICATIONS

MODEL	POWER SUPPLY	COMPRESSOR		CONDENSER FANS			TOTAL AMPS	M.C.A.	M.O.P.
		RLA	LRA	QTY	Hp @	FLA @			
KC300M2 - HS2	208-230/1/60	20.0	110	1	1/3	3.2	23.2	28.2	40
KC300M2 - HT3	208-230/3/60	12.4	71	1	1/3	3.2	15.6	18.7	30
KC300M2 - HT4	460/3/60	6.2	35.5	1	1/3	1.6	7.8	9.4	15
KC300M2 - HT5	575/3/60	5.0	28.4	1	1/3	1.6	6.6	7.9	15
KC310M2 - HS2	208-230/1/60	20.0	110	1	1/2	4.0	24.6	29.6	50
KC310M2 - HT3	208-230/3/60	12.4	71	1	1/2	4.6	17.0	20.1	30
KC310M2 - HT4	460/3/60	6.2	36	1	1/2	2.3	8.5	10.1	15
KC310M2 - HT5	575/3/60	5.0	28	1	1/2	2.3	7.3	8.6	15
KC500M2 - HT3	208-230/3/60	19.3	100	2	1/2	4.6	28.5	33.3	50
KC500M2 - HT4	460/3/60	9.6	50	2	1/2	2.3	14.2	16.6	25
KC500M2 - HT5	575/3/60	7.7	40	2	1/2	2.3	12.3	14.2	20
KC750M2 - HT3	208-230/3/60	31.4	160	2	3/4	4.2	39.8	47.7	80
KC750M2 - HT4	460/3/60	15.7	80	2	3/4	2.1	19.9	23.8	40
KC750M2 - HT5	575/3/60	12.6	64	2	3/4	2.1	16.8	20.0	30
KC760M2 - HT3	208-230/3/60	39.6	198	2	3/4	4.2	48.0	57.9	100
KC760M2 - HT4	460/3/60	19.8	99	2	3/4	2.1	24.0	29.0	50
KC760M2 - HT5	575/3/60	15.9	79	2	3/4	2.1	20.1	24.1	40
KC1000M2 - HT3	208-230/3/60	44.3	228	2	3/4	4.2	57.2	63.8	100
KC1000M2 - HT4	460/3/60	22.1	114	2	3/4	2.1	26.3	31.8	50
KC1000M2 - HT5	575/3/60	17.9	91	2	3/4	2.1	22.1	26.6	40
KC1500M2 - HT3	208-230/3/60	63.6	266	2	3/4	4.2	72.3	88.3	150
KC1500M2 - HT4	460/3/60	28.6	120	2	3/4	2.1	32.8	40.0	60
KC1500M2 - HT5	575/3/60	22.9	96	2	3/4	2.1	29.2	34.9	50
KC2000M2 - HT3	208-230/3/60	87.0	345	3	3/4	4.2	99.6	121.4	200
KC2000M2 - HT4	460/3/60	44.0	173	3	3/4	2.1	50.3	61.3	100
KC2000M2 - HT5	575/3/60	36.0	120	3	3/4	2.1	42.3	51.3	80
KC2500M2 - HT3	208-230/3/60	112.0	446	3	3/4	4.2	124.6	152.6	250
KC2500M2 - HT4	460/3/60	56.0	223	3	3/4	2.1	62.3	76.3	125
KC2500M2 - HT5	575/3/60	46.0	164	3	3/4	2.1	52.3	63.8	100

M.O.P. = Maximum Overcurrent Protection

M.C.A. = Minimum Circuit Ampacity

# K - LINE ELECTRICAL SPECIFICATIONS

MODEL	POWER SUPPLY	COMPRESSOR		CONDENSER FANS			TOTAL AMPS	M.C.A.	M.O.P.
		RLA	LRA	QTY	Hp @	FLA @			
K300M8 - HS2	208-230/1/60	17.0	86	1	1/3	3.2	20.2	24.5	40
K300M8 - HT3	208-230/3/60	12.4	82	1	1/3	3.2	15.6	18.7	30
K300M8 - HT4	460/3/60	5.8	41	1	1/3	1.6	7.4	8.9	15
K300M8 - HT5	575/3/60	5.2	30	1	1/3	1.6	6.8	8.1	15
K310M8 - HT3	208-230/3/60	13.1	82	1	1/2	4.6	17.7	21.0	30
K310M8 - HT4	460/3/60	6.6	41	1	1/2	2.3	8.9	10.5	15
K500M8 - HT3	208-230/3/60	22.3	120	2	1/2	4.6	31.5	37.5	60
K500M8 - HT4	460/3/60	10.4	60	2	1/2	2.3	15.0	17.6	25
K500M8 - HT5	575/3/60	7.7	49	2	1/2	2.3	12.3	14.2	20
K510M8 - HT3	208-230/3/60	22.3	120	2	1/2	4.6	31.5	37.1	60
K510M8 - HT4	460/3/60	10.5	60	2	1/2	2.3	15.1	17.7	25
K510M8 - HT5	575/3/60	7.9	49	2	1/2	2.3	12.5	14.5	20
K750M8 - HT3	208-230/3/60	31.6	169	2	3/4	4.2	40.0	47.9	80
K750M8 - HT4	460/3/60	13.8	85	2	3/4	2.1	18.0	21.5	35
K750M8 - HT5	575/3/60	13.2	67	2	3/4	2.1	17.4	20.7	30
K760M8 - HT3	208-230/3/60	41.0	215	2	3/4	4.2	49.4	59.7	100
K760M8 - HT4	460/3/60	20.0	106	2	3/4	2.1	24.2	29.2	50
K760M8 - HT5	575/3/60	16.5	84	2	3/4	2.1	20.7	24.8	40
K1000M8 - HT3	208-230/3/60	43.6	215	2	3/4	4.2	52.0	62.9	100
K1000M8 - HT4	460/3/60	20.0	106	2	3/4	2.1	24.2	29.4	50
K1000M8 - HT5	575/3/60	16.5	84	2	3/4	2.1	20.7	24.8	40
K1500M8 - HT3	208-230/3/60	59.6	275	2	3/4	4.2	68.0	82.9	125
K1500M8 - HT4	460/3/60	29.0	138	2	3/4	2.1	33.2	40.5	70
K1500M8 - HT5	575/3/60	23.6	110	2	3/4	2.1	27.8	33.7	50
K2000M8 - HT3	208-230/3/60	66.0	308	3	3/4	4.2	78.6	95.1	150
K2000M8 - HT4	460/3/60	33.0	154	3	3/4	2.1	39.3	47.6	80
K2000M8 - HT5	575/3/60	24.7	135	3	3/4	2.1	31.0	37.2	60
K2500M8 - HT3	208-230/3/60	82.2	428	3	3/4	4.2	94.8	115.4	200
K2500M8 - HT4	460/3/60	41.1	214	3	3/4	2.1	47.4	57.7	100
K2500M8 - HT5	575/3/60	34.4	172	3	3/4	2.1	40.7	49.3	80
K3000M8 - HT3	208-230/3/60	94.0	470	3	3/4	4.2	106.6	130.1	225
K3000M8 - HT4	460/3/60	47.0	235	3	3/4	2.1	53.3	65.1	110
K3000M8 - HT5	575/3/60	39.3	200	3	3/4	2.1	45.6	55.4	90

M.O.P. = Maximum Overcurrent Protection  
M.C.A. = Minimum Circuit Ampacity

## K - LINE ELECTRICAL SPECIFICATIONS

MODEL	POWER SUPPLY	COMPRESSOR		CONDENSER FANS			TOTAL AMPS	M.C.A.	M.O.P.
		RLA	LRA	QTY	Hp @	FLA @			
K300L6 - HS2	208-230/1/60	16.7	105	1	1/3	3.2	19.9	24.1	40
K300L6 - HT3	208-230/3/60	12.8	112	1	1/3	3.2	16.0	19.2	30
K300L6 - HT4	460/3/60	6.0	56	1	1/3	1.6	7.6	9.1	15
K350L6 - HS2	208-230/1/60	25.8	125	1	1/3	3.2	29.0	35.5	60
K350L6 - HT3	208-230/3/60	16.8	102	1	1/2	4.6	21.4	25.6	40
K350L6 - HT4	460/3/60	8.1	52	1	1/2	2.3	10.4	12.4	20
K350L6 - HT5	575/3/60	6.7	41	1	1/2	2.3	9.0	10.7	15
K400L6 - HT3	208-230/3/60	26.3	161	1	1/2	4.6	30.9	37.5	60
K400L6 - HT4	460/3/60	10.2	60	1	1/2	2.3	12.5	15.0	25
K400L6 - HT5	575/3/60	7.7	49	1	1/2	2.3	10.0	11.9	20
K600L6 - HT3	208-230/3/60	28.8	161	2	1/2	4.6	38.0	45.2	70
K600L6 - HT4	460/3/60	10.2	60	2	1/2	2.3	14.8	17.3	25
K600L6 - HT5	575/3/60	9.1	49	2	1/2	2.3	13.7	16.0	25
K610L6 - HT3	208-230/3/60	30.3	150	2	1/2	4.6	39.5	47.1	70
K610L6 - HT4	460/3/60	13.7	77	2	1/2	2.3	18.3	21.7	30
K610L6 - HT5	575/3/60	10.5	62	2	1/2	2.3	15.1	17.7	25
K750L6 - HT3	208-230/3/60	31.5	161	2	1/2	4.6	40.7	48.8	80
K750L6 - HT4	460/3/60	16.1	83	2	1/2	2.3	20.7	24.7	40
K750L6 - HT5	575/3/60	11.0	67	2	1/2	2.3	15.6	18.4	30
K900L6 - HT3	208-230/3/60	39.0	215	2	3/4	4.2	47.4	57.2	90
K900L6 - HT4	460/3/60	16.9	106	2	3/4	2.1	21.1	25.3	40
K900L6 - HT5	575/3/60	16.5	84	2	3/4	2.1	20.7	24.8	40
K1000L6 - HT3	208-230/3/60	42.0	215	2	3/4	4.2	50.4	60.9	100
K1000L6 - HT4	460/3/60	18.6	106	2	3/4	2.1	22.8	27.5	40
K1000L6 - HT5	575/3/60	16.8	84	2	3/4	2.1	21.0	25.2	40
K1500L6 - HT3	208-230/3/60	52.6	278	2	3/4	4.2	61.0	74.2	125
K1500L6 - HT4	460/3/60	26.3	139	2	3/4	2.1	30.5	37.1	60
K1500L6 - HT5	575/3/60	20.9	113	2	3/4	2.1	25.1	30.3	50
K2000L6 - HT3	208-230/3/60	66.0	374	2	3/4	4.2	74.4	90.9	150
K2000L6 - HT4	460/3/60	33.0	187	2	3/4	2.1	37.2	45.5	75
K2000L6 - HT5	575/3/60	24.2	135	2	3/4	2.1	28.4	34.5	60
K2500L6 - HT3	208-230/3/60	80.8	450	3	3/4	4.2	93.4	113.6	175
K2500L6 - HT4	460/3/60	40.4	225	3	3/4	2.1	46.7	56.8	90
K2500L6 - HT5	575/3/60	32.5	172	3	3/4	2.1	38.8	46.9	70
K3000L6 - HT3	208-230/3/60	95.6	470	3	3/4	4.2	108.2	132.1	225
K3000L6 - HT4	460/3/60	47.8	235	3	3/4	2.1	54.1	66.1	110
K3000L6 - HT5	575/3/60	39.6	200	3	3/4	2.1	45.9	55.8	90

M.O.P. = Maximum Overcurrent Protection

M.C.A. = Minimum Circuit Ampacity

## K - LINE ELECTRICAL SPECIFICATIONS

MODEL	POWER SUPPLY	COMPRESSOR		CONDENSER FANS			TOTAL AMPS	M.C.A.	M.O.P
		RLA	LRA	QTY	Hp @	FLA @			
K300L2 - HS2	208-230/1/60	16.6	86	1	1/3	3.2	19.8	24.0	40
K300L2 - HT3	208-230/3/60	10.7	82	1	1/3	3.2	13.9	16.6	25
K300L2 - HT4	460/3/60	5.2	41	1	1/3	1.6	6.8	8.1	15
K300L2 - HT5	575/3/60	4.0	30	1	1/3	1.6	5.6	6.6	15
K350L2 - HS2	208-230/1/60	25.8	125	1	1/2	4.6	30.4	36.9	60
K350L2 - HT3	208-230/3/60	16.8	102	1	1/2	4.6	21.4	25.6	40
K350L2 - HT4	460/3/60	8.1	52	1	1/2	2.3	10.4	12.4	20
K350L2 - HT5	575/3/60	6.7	41	1	1/2	2.3	9.0	10.7	15
K400L2 - HT3	208-230/3/60	26.3	161	1	1/2	4.6	30.9	37.5	60
K400L2 - HT4	460/3/60	10.2	60	1	1/2	2.3	12.5	15.0	25
K400L2 - HT5	575/3/60	7.7	49	1	1/2	2.3	10.0	11.9	20
K600L2 - HT3	208-230/3/60	28.8	161	2	1/2	4.6	38.0	45.2	70
K600L2 - HT4	460/3/60	10.2	60	2	1/2	2.3	14.8	17.3	25
K600L2 - HT5	575/3/60	9.1	49	2	1/2	2.3	13.7	16.0	25
K610L2 - HT3	208-230/3/60	30.3	150	2	1/2	4.6	39.5	47.1	70
K610L2 - HT4	460/3/60	13.7	77	2	1/2	2.3	18.3	21.7	35
K610L2 - HT5	575/3/60	10.5	62	2	1/2	2.3	15.1	17.7	25
K750L2 - HT3	208-230/3/60	31.5	161	2	1/2	4.6	40.7	48.6	80
K750L2 - HT4	460/3/60	16.1	83	2	1/2	2.3	20.7	24.7	40
K750L2 - HT5	575/3/60	11.0	67	2	1/2	2.3	15.6	18.4	30
K900L2 - HT3	208-230/3/60	39.0	215	2	3/4	4.2	47.4	57.2	100
K900L2 - HT4	460/3/60	16.9	106	2	3/4	2.1	21.1	25.3	40
K900L2 - HT5	575/3/60	16.5	84	2	3/4	2.1	20.7	24.8	40
K1000L2 - HT3	208-230/3/60	42.0	215	2	3/4	4.2	50.4	60.9	90
K1000L2 - HT4	460/3/60	18.6	106	2	3/4	2.1	22.8	27.5	40
K1000L2 - HT5	575/3/60	16.8	84	2	3/4	2.1	21.0	25.2	40
K1500L2 - HT3	208-230/3/60	52.6	278	2	3/4	4.2	61.0	74.2	125
K1500L2 - HT4	460/3/60	26.3	139	2	3/4	2.1	30.5	37.1	60
K1500L2 - HT5	575/3/60	20.9	113	2	3/4	2.1	25.1	30.3	50
K2000L2 - HT3	208-230/3/60	66.0	374	2	3/4	4.2	74.4	90.9	150
K2000L2 - HT4	460/3/60	33.0	187	2	3/4	2.1	37.2	45.5	80
K2000L2 - HT5	575/3/60	24.2	135	2	3/4	2.1	28.4	34.5	50
K2500L2 - HT3	208-230/3/60	80.8	450	3	3/4	4.2	93.4	113.6	175
K2500L2 - HT4	460/3/60	40.4	225	3	3/4	2.1	46.7	56.8	90
K2500L2 - HT5	575/3/60	32.5	172	3	3/4	2.1	38.8	46.9	70
K3000L2 - HT3	208-230/3/60	95.6	470	3	3/4	4.2	108.2	132.1	225
K3000L2 - HT4	460/3/60	47.8	235	3	3/4	2.1	54.1	66.1	110
K3000L2 - HT5	575/3/60	39.6	200	3	3/4	2.1	45.9	55.8	90

M.O.P. = Maximum Overcurrent Protection

M.C.A. = Minimum Circuit Ampacity

## K - LINE ELECTRICAL SPECIFICATIONS

MODEL	POWER SUPPLY	COMPRESSOR		CONDENSER FANS			TOTAL AMPS	M.C.A.	M.O.P.
		RLA	LRA	QTY	Hp @	FLA @			
K300L5 - HS2	208-230/1/60	15.1	86	1	1/3	3.2	18.3	22.1	40
K300L5 - HT3	208-230/3/60	10.7	82	1	1/3	3.2	13.9	16.6	25
K300L5 - HT4	460/3/60	5.7	41	1	1/3	1.6	7.3	8.7	15
K300L5 - HT5	575/3/60	4.0	30	1	1/3	1.6	5.6	6.6	15
K350L5 - HS2	208-230/1/60	25.8	125	1	1/2	4.6	30.4	36.9	60
K350L5 - HT3	208-230/3/60	16.8	102	1	1/2	4.6	21.4	25.6	40
K350L5 - HT4	460/3/60	8.1	52	1	1/2	2.3	10.4	12.4	20
K350L5 - HT5	575/3/60	6.7	41	1	1/2	2.3	9.0	10.7	15
K400L5 - HT3	208-230/3/60	26.3	161	1	1/2	4.6	30.9	37.5	60
K400L5 - HT4	460/3/60	10.2	60	1	1/2	2.3	12.5	15.0	25
K400L5 - HT5	575/3/60	7.7	49	1	1/2	2.3	10.0	11.9	20
K600L5 - HT3	208-230/3/60	28.8	161	2	1/2	4.6	38.0	45.2	70
K600L5 - HT4	460/3/60	10.2	60	2	1/2	2.3	14.8	17.3	25
K600L5 - HT5	575/3/60	9.1	49	2	1/2	2.3	13.7	16.0	25
K610L5 - HT3	208-230/3/60	26.5	150	2	1/2	4.6	35.7	42.3	70
K610L5 - HT4	460/3/60	12.0	77	2	1/2	2.3	16.6	19.6	30
K610L5 - HT5	575/3/60	10.5	62	2	1/2	2.3	15.1	17.7	25
K750L5 - HT3	208-230/3/60	31.5	161	2	1/2	4.6	40.7	48.6	80
K750L5 - HT4	460/3/60	16.1	83	2	1/2	2.3	20.7	24.7	40
K750L5 - HT5	575/3/60	11.0	67	2	1/2	2.3	15.6	18.4	30
K900L5 - HT3	208-230/3/60	39.0	215	2	3/4	4.2	47.4	57.2	90
K900L5 - HT4	460/3/60	16.9	106	2	3/4	2.1	21.1	25.3	40
K900L5 - HT5	575/3/60	16.5	84	2	3/4	2.1	20.7	24.8	40
K1000L5 - HT3	208-230/3/60	42.0	215	2	3/4	4.2	50.4	60.9	90
K1000L5 - HT4	460/3/60	18.6	106	2	3/4	2.1	22.8	27.5	40
K1000L5 - HT5	575/3/60	16.8	84	2	3/4	2.1	21.0	25.2	40
K1500L5 - HT3	208-230/3/60	52.6	278	2	3/4	4.2	61.0	74.2	125
K1500L5 - HT4	460/3/60	26.3	139	2	3/4	2.1	30.5	37.1	60
K1500L5 - HT5	575/3/60	20.9	113	2	3/4	2.1	25.1	30.3	50
K2000L5 - HT3	208-230/3/60	66.0	374	2	3/4	4.2	74.4	90.9	150
K2000L5 - HT4	460/3/60	33.0	187	2	3/4	2.1	37.2	45.5	80
K2000L5 - HT5	575/3/60	24.2	135	2	3/4	2.1	28.4	34.5	50
K2500L5 - HT3	208-230/3/60	80.8	450	3	3/4	4.2	93.4	113.6	175
K2500L5 - HT4	460/3/60	40.4	225	3	3/4	2.1	46.7	56.8	90
K2500L5 - HT5	575/3/60	32.5	172	3	3/4	2.1	38.8	46.9	70
K3000L5 - HT3	208-230/3/60	95.6	470	3	3/4	4.2	108.2	132.1	225
K3000L5 - HT4	460/3/60	47.8	235	3	3/4	2.1	54.1	66.1	110
K3000L5 - HT5	575/3/60	39.6	200	3	3/4	2.1	45.9	55.8	90

M.O.P. = Maximum Overcurrent Protection

M.C.A. = Minimum Circuit Ampacity

## K - LINE ELECTRICAL SPECIFICATIONS

MODEL	POWER SUPPLY	COMPRESSOR		CONDENSER FANS			TOTAL AMPS	M.C.A.	M.O.P.
		RLA	LRA	QTY	Hp @	FLA @			
KC350L5 - HS2	208-230/1/60	28.6	150	1	1/2	4.6	33.2	40.4	60
KC350L5 - HT3	208-230/3/60	19.3	100	1	1/2	4.6	23.9	28.7	40
KC350L5 - HT4	460/3/60	9.6	50	1	1/2	2.3	11.9	14.3	20
KC350L5 - HT5	575/3/60	7.7	40	1	1/2	2.3	10.0	11.9	15
KC400L5 - HS2	208-230/1/60	28.6	150	1	1/2	4.6	33.2	40.4	70
KC400L5 - HT3	208-230/3/60	19.3	100	1	1/2	4.6	23.9	28.7	50
KC400L5 - HT4	460/3/60	9.6	50	1	1/2	2.3	11.9	14.3	20
KC400L5 - HT5	575/3/60	7.7	40	1	1/2	2.3	10.0	11.9	20
KC600L5 - HT3	208-230/3/60	31.4	160	2	1/2	4.6	40.6	48.4	80
KC600L5 - HT4	460/3/60	15.7	80	2	1/2	2.3	20.3	24.2	40
KC600L5 - HT5	575/3/60	12.6	64	2	1/2	2.3	17.2	20.3	30
KC610L5 - HT3	208-230/3/60	31.4	160	2	1/2	4.6	40.6	48.4	80
KC610L5 - HT4	460/3/60	15.7	80	2	1/2	2.3	20.3	24.2	40
KC610L5 - HT5	575/3/60	12.6	64	2	1/2	2.3	17.2	20.3	30
KC750L5 - HT3	208-230/3/60	39.6	198	2	1/2	4.6	48.8	58.7	100
KC750L5 - HT4	460/3/60	19.8	99	2	1/2	2.3	24.4	29.4	50
KC750L5 - HT5	575/3/60	15.9	79	2	1/2	2.3	20.5	24.5	40
KC900L5 - HT3	208-230/3/60	44.3	228	2	3/4	4.2	52.7	63.8	100
KC900L5 - HT4	460/3/60	22.1	114	2	3/4	2.1	26.3	31.8	50
KC900L5 - HT5	575/3/60	17.9	91	2	3/4	2.1	22.1	26.6	40
KC1000L5 - HT3	208-230/3/60	44.3	228	2	3/4	4.2	52.7	63.8	100
KC1000L5 - HT4	460/3/60	22.1	114	2	3/4	2.1	26.3	31.8	50
KC1000L5 - HT5	575/3/60	17.9	91	2	3/4	2.1	22.1	26.6	40
KC1500L5 - HT3	208-230/3/60	72.0	283	2	3/4	4.2	80.4	98.4	150
KC1500L5 - HT4	460/3/60	36.0	142	2	3/4	2.1	40.2	49.2	80
KC1500L5 - HT5	575/3/60	31.0	98	2	3/4	2.1	35.2	43.0	70
KC2000L5 - HT3	208-230/3/60	87.0	345	2	3/4	4.2	95.4	117.2	200
KC2000L5 - HT4	460/3/60	44.0	173	2	3/4	2.1	48.2	59.2	100
KC2000L5 - HT5	575/3/60	36.0	120	2	3/4	2.1	40.2	49.2	80
KC2500L5 - HT3	208-230/3/60	87.0	345	3	3/4	4.2	99.6	121.4	200
KC2500L5 - HT4	460/3/60	44.0	173	3	3/4	2.1	50.3	61.3	100
KC2500L5 - HT5	575/3/60	36.0	120	3	3/4	2.1	42.3	51.3	80
KC3000L5 - HT3	208-230/3/60	135.0	506	3	3/4	4.2	147.6	181.4	300
KC3000L5 - HT4	460/3/60	68.0	253	3	3/4	2.1	74.3	91.3	150
KC3000L5 - HT5	575/3/60	52.0	176	3	3/4	2.1	58.3	71.3	110

M.O.P. = Maximum Overcurrent Protection

M.C.A. = Minimum Circuit Ampacity



# K - LINE ELECTRICAL SPECIFICATIONS

MODEL	POWER SUPPLY	COMPRESSOR		CONDENSER FANS			TOTAL AMPS	M.C.A.	M.O.P.
		RLA	LRA	QTY	Hp @	FLA @			
KC300L6 - HT3	208-230/3/60	12.4	71	1	1/3	3.2	15.6	18.7	30
KC300L6 - HT4	460/3/60	6.2	35.5	1	1/3	1.6	7.8	9.4	15
KC300L6 - HT5	575/3/60	5.0	28.4	1	1/3	1.6	6.6	7.9	15
KC350L6 - HT3	208-230/3/60	19.3	100	1	1/2	4.6	22.5	27.3	40
KC350L6 - HT4	460/3/60	9.6	50	1	1/2	2.3	11.2	13.6	20
KC350L6 - HT5	575/3/60	7.7	40	1	1/2	2.3	9.3	11.2	15
KC400L6 - HT3	208-230/3/60	19.3	100	1	1/2	4.6	22.5	27.3	40
KC400L6 - HT4	460/3/60	9.6	50	1	1/2	2.3	11.2	13.6	20
KC400L6 - HT5	575/3/60	7.7	40	1	1/2	2.3	9.3	11.2	15
KC600L6 - HT3	208-230/3/60	31.4	160	2	1/2	4.6	40.6	48.4	80
KC600L6 - HT4	460/3/60	15.7	80	2	1/2	2.3	20.3	24.2	40
KC600L6 - HT5	575/3/60	12.6	64	2	1/2	2.3	17.2	20.3	30
KC610L6 - HT3	208-230/3/60	31.4	160	2	1/2	4.6	40.6	48.4	80
KC610L6 - HT4	460/3/60	15.7	80	2	1/2	2.3	20.3	24.2	40
KC610L6 - HT5	575/3/60	12.6	64	2	1/2	2.3	17.2	20.3	30
KC750L6 - HT3	208-230/3/60	39.6	198	2	1/2	4.6	48.8	58.7	100
KC750L6 - HT4	460/3/60	19.8	99	2	1/2	2.3	24.4	29.4	50
KC750L6 - HT5	575/3/60	15.9	79	2	1/2	2.3	20.5	24.5	40
KC900L6 - HT3	208-230/3/60	44.3	228	2	3/4	4.2	52.7	63.8	100
KC900L6 - HT4	460/3/60	22.1	114	2	3/4	2.1	26.3	31.8	50
KC900L6 - HT5	575/3/60	17.9	91	2	3/4	2.1	22.1	26.6	40
KC1500L6 - HT3	208-230/3/60	72.0	283	2	3/4	4.2	80.4	98.4	150
KC1500L6 - HT4	460/3/60	36.0	142	2	3/4	2.1	40.2	49.2	80
KC1500L6 - HT5	575/3/60	31.0	96	2	3/4	2.1	35.2	43.0	70
KC2000L6 - HT3	208-230/3/60	87.0	345	2	3/4	4.2	95.4	117.2	200
KC2000L6 - HT4	460/3/60	44.0	173	2	3/4	2.1	48.2	59.2	100
KC2000L6 - HT5	575/3/60	36.0	120	2	3/4	2.1	40.2	49.2	80
KC2500L6 - HT3	208-230/3/60	87.0	345	3	3/4	4.2	99.6	121.4	200
KC2500L6 - HT4	460/3/60	44.0	173	3	3/4	2.1	50.3	61.3	100
KC2500L6 - HT5	575/3/60	36.0	120	3	3/4	2.1	42.3	51.3	80
KC3000L6 - HT3	208-230/3/60	135.0	506	3	3/4	4.2	147.6	181.4	300
KC3000L6 - HT4	460/3/60	68.0	253	3	3/4	2.1	74.3	91.3	150
KC3000L6 - HT5	575/3/60	52.0	176	3	3/4	2.1	58.3	71.3	110

M.O.P. = Maximum Overcurrent Protection  
M.C.A. = Minimum Circuit Ampacity







**NATIONAL REFRIGERATION & AIR CONDITIONING CANADA CORP.**  
159 ROY BLVD., BRANTFORD, ONTARIO, CANADA N3T 5Y6  
PHONE: 1-800-463-9517 (519)751-0444 FAX (519)753-1140



*Due to National Refrigeration's policy of continuous product improvement, we reserve the right to make changes without notice.*