

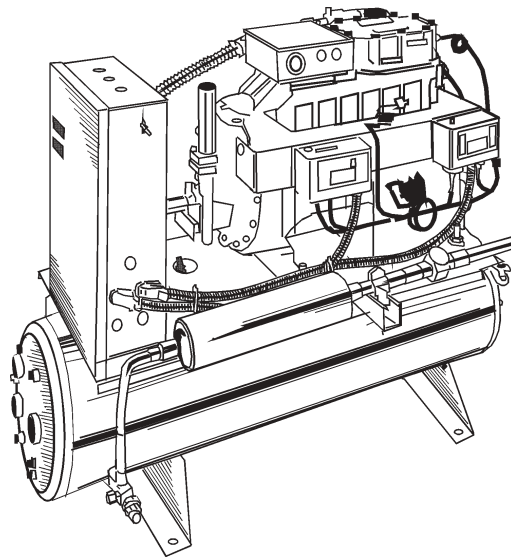
**PRODUCT DATA &
SPECIFICATIONS**

**Indoor Water Cooled
Condensing Units**

2 to 40 HP

Bulletin B40-BW-PDS-12

1064619



CONTENTS

	Page
Features.....	2
Nomenclature.....	2
 CAPACITY DATA	
R134a - High/Medium Temp.....	3
R22 - High/Medium Temp.....	4
R404A, R507 - High/Medium Temp.....	5
R22 - Low Temp.....	6
R404A, R507 Low Temp.....	7
Specifications.....	8, 9
Dimensional Data.....	9
Electrical Specifications.....	10 - 15

FEATURES

STANDARD FEATURES INCLUDE:

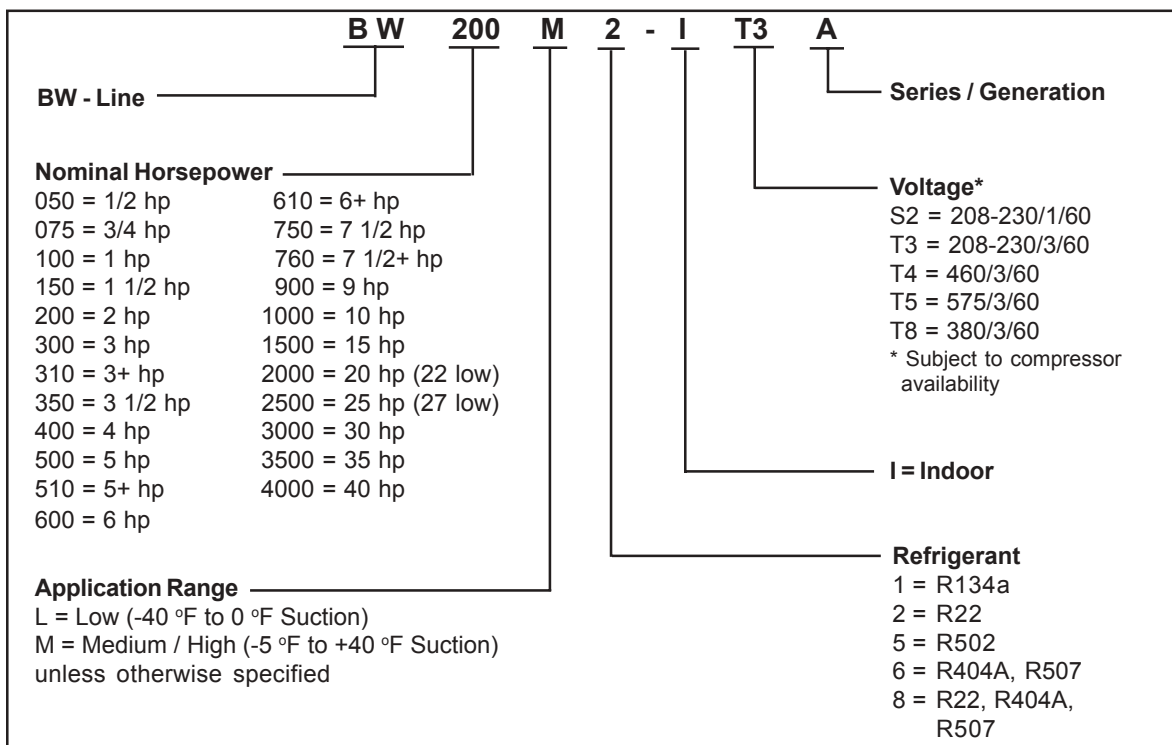
- Sturdy electrical control box with compressor contactor and fused control circuit
- Spring mounted, accessible semi-hermetic compressor
- Sealed liquid line filter drier and sight glass
- Discharge vibration eliminator
- Time clock - Factory mounted and wired (low temp models)
- Copper tubing secured with Hydra-Zorb / Cush- A-Clamp
- Shell and tube water cooled condenser with fusible plug or pressure relief valve and liquid shut off valve
- Adjustable dual high / low pressure control
- Oil failure control on all applicable models
- Demand Cooling™ on R22 low temp. models
- Suction and discharge service valve

OPTIONAL FEATURES (FACTORY MOUNTED)

- Suction accumulator
- Sealed or replaceable core suction filter with vibration eliminator
- Oil separator c/w oil return solenoid valve
- Sealed liquid line filter drier and sight glass
- Replaceable core liquid line filter drier
- Liquid line solenoid valve with 230 volt coil (shipped loose)
- Ball valve (shipped loose)
- Sentronic™ oil failure control
- Flex hose on all controls
- Compressor circuit breaker
- Compressor time delay relay
- Pump down toggle switch
- Time clock - Factory mounted and wired
- Defrost contactor with fuse block
- Evaporator fan contactor with fuse block
- Fused disconnect
- Phase / voltage monitor
- Water valve (shipped loose)
- Marine duty (cupro-nickel) condenser

OTHER OPTIONS AVAILABLE AT YOUR REQUEST - CONSULT FACTORY

NOMENCLATURE



PERFORMANCE CAPACITY 60Hz

Application Data Calculated at 65 °F. Return Gas, 0 °F. Liquid Subcooling, 105 °F Cond. Temp.

R-134a HIGH/MEDIUM TEMPERATURE - CAPACITY (BTU/HR)

Unit Shipped with polyolester oil

Model No.	Btuh Capacity / Saturated Suction Temperature °F					
	+30	+25	+20	+10	0	-5
BW200M1 Compressor Model EAV-021E	19150	16900	14800	11250	8250	6800
BW290M1 Compressor Model LAH-031E	-	26700	23600	17750	12900	10700
BW300M1 Compressor Model 2DF3-030E	41800	37150	32850	25400	19150	16400
BW600M1 Compressor Model 2DA3-060E	52350	46500	41100	31650	23850	20500
BW620M1 Compressor Model 3DA3A060E	62850	55900	49550	38300	28800	24500
BW750M1 Compressor Model 3DB3A075E	73850	65650	58100	44900	33700	28700
BW900M1 Compressor Model 3DF3A090E	87000	77500	68900	53500	40000	33750
BW1000M1 Compressor Model 3DS3A100E	96100	85550	75850	58800	44050	37300
BW1010M1 Compressor Model 4DA3-100E	103950	91350	80300	62150	48000	42000
BW1500M1 Compressor Model 4DH3-150E	140350	123550	108050	81600	62750	56650

PERFORMANCE CAPACITY 60Hz

Application Data Calculated at 65 °F. Return Gas, 0 °F. Liquid Subcooling, 105 °F Cond. Temp.

R-22 HIGH/MEDIUM TEMPERATURE - CAPACITY (BTU/HR)

M2 Unit Shipped with mineral oil, M8 unit shipped with polyolester oil

Model No	Btuh Capacity / Saturated Suction Temperature °F								
	45	40	30	25	20	15	10	5*	0*
BW075M2 Compressor Model KAN-0075	10450	9410	7455	6610	5835	5125	4475	3895	3375
BW100M2 Compressor Model KAR-0100	14700	13820	10650	9495	8410	7410	6500	5680	4950
BW150M2 Compressor Model KAG-0150	18500	16720	13200	11680	10275	9000	7865	6880	6050
BW200M2 Compressor Model ERA-0200	28400	25260	19380	16600	13890	11230	9480	7480	5670
BW300M8 Compressor Model ERF-031E	43480	39450	30850	28460	25370	22590	20000	15300	12800
BW310M8 Compressor Model 3RA-031E	-	-	-	33830	30350	27060	23980	21000	18210
BW500M8 Compressor Model 2DC3-050E	69950	62280	49650	44380	39300	34480	29650	26400	22600
BW510M8 Compressor Model 2DD3-050E	83880	75620	60780	54230	48160	42590	37310	31200	26800
BW750M8 Compressor Model 2DL3-075E	103480	93930	76020	68060	60670	53830	47360	39500	34600
BW760M8 Compressor Model 3DA3A075E	140300	127360	103480	93130	83480	74530	66270	56900	50100
BW1000M8 Compressor Model 3DB3A100E	165170	149250	122340	110450	99200	88960	79400	68700	60800
BW1500M8 Compressor Model 3DS3A150E	219900	199000	162190	146270	131340	117410	104480	90200	80000
BW2000M8 Compressor Model 4DA3-200E	239000	214500	172000	153000	136500	121200	107000	94550	83100
BW2500M8 Compressor Model 4DH3-250E	301000	275000	224000	200500	178000	157000	138000	121000	106000
BW3000M8 Compressor Model 4DJ3-300E	353000	320500	261000	234000	209000	185500	163500	144000	126500
BW3500M8 Compressor Model 6DH3-350E	432000	390500	317000	285500	255500	229000	204500	182000	161500
BW4000M8 Compressor Model 6DJ3-400E	515000	468500	384500	346500	311100	279000	248000	221000	195000

* Return gas temperature cannot exceed 50 °F.

PERFORMANCE CAPACITY 60Hz

Application Data Calculated at 65 °F. Return Gas, 0 °F. Liquid Subcooling, 105 °F Cond. Temp.

R-404A, R-507 HIGH/MEDIUM TEMPERATURE - CAPACITY (BTU/HR)

Unit Shipped with polyolester oil

Model No	Btuh Capacity / Saturated Suction Temperature °F								
	40	35	30	25	20	15	10	5	0
BW050M6 Compressor Model HAJ-005E	-	-	-	5300	4800	4250	3750	3250	2800
BW100M6 Compressor Model KAR-010E	-	-	-	9850	8950	8050	7150	6300	4850
BW200M6 Compressor Model KAK-020E	-	-	-	16400	14500	12950	11600	10350	8700
BW210M6 Compressor Model ERC-020E	-	-	-	20750	18500	16400	14560	12850	11200
BW300M8 Compressor Model ERF-031E	-	-	-	29950	26750	23800	21100	18600	14250
BW310M8 Compressor Model 3RA-031E	-	-	-	36700	32500	28600	25050	21800	18850
BW500M8 Compressor Model 2DC3-050E	64800	58250	52200	46600	41400	36650	32300	28350	24800
BW510M8 Compressor Model 2DD3-050E	77150	69600	62550	55950	49800	44200	39050	34350	30200
BW750M8 Compressor Model 2DL3-075E	94000	84750	76200	68300	61000	54350	48250	42650	37700
BW760M8 Compressor Model 3DA3A075E	126100	113950	102700	92350	82800	74050	66050	58800	52150
BW1000M8 Compressor Model 3DB3A100E	148650	134550	121550	109600	98650	88600	79350	70800	63000
BW1500M8 Compressor Model 3DS3A150E	204700	185150	167150	150550	135350	121400	108650	97000	86300
BW2000M8 Compressor Model 4DA3-200E	218150	198000	178950	161000	144200	129200	114050	100750	88650
BW2500M8 Compressor Model 4DH3-250E	272400	249000	226350	204600	183800	164350	146250	129700	114900
BW3000M8 Compressor Model 4DJ3-300E	333550	302300	273050	245800	220450	197050	175400	155550	137450
BW3500M8 Compressor Model 6DH3-350E	422100	381250	343600	309000	277300	248250	221650	197350	175200
BW4000M8 Compressor Model 6DJ3-400E	482800	439550	398900	360900	325450	292500	261950	233700	208100

PERFORMANCE CAPACITY 60Hz

Application Data Calculated at 65 °F. Return Gas, 0 °F. Liquid Subcooling, 105 °F Cond. Temp.

R-22 LOW TEMPERATURE - CAPACITY (BTU/HR)

Unit Shipped with mineral oil

Model No	Btuh Capacity / Saturated Suction Temperature °F								
	0	-5	-10	-15	-20	-25	-30	-35	-40
BW050L2 Compressor Model KAN-0050	3430	2930	2480	2060	1680	1340	1030	760	530
BW075L2 Compressor Model KAM-0075	5760	5050	4390	3780	3230	2720	2270	1880	1540
BW100L2 Compressor Model KAJ-0100	7290	6350	5510	4750	4080	3470	2920	2420	1960
BW200L2 Compressor Model EAD-0200	12500	10800	9320	7940	6700	5590	4580	3670	2850
BW300L2 Compressor Model LAHB-0311	22700	19700	16900	14300	12000	9890	8030	6420	5060
BW350L2 Compressor Model 2DF3-0300	31540	27060	23080	19700	16720	14130	11840	9770	7810
BW400L2 Compressor Model 2DL3-0400	36720	32140	27860	23880	20300	17000	14030	11500	9300
BW600L2 Compressor Model 2DA3-0600	42690	37310	32340	27760	23680	19800	16420	13460	10840
BW610L2 Compressor Model 3DA3A0600	49300	42900	37200	32000	27300	23200	19400	16040	12980
BW750L2 Compressor Model 3DB3A0750	61090	53630	46860	40800	35470	30450	25970	21820	18000
BW900L2 Compressor Model 3DF3A0900	73830	65170	57000	49450	42390	36020	30350	25170	20700
BW1000L2 Compressor Model 3DS3A1000	79900	70250	61390	53230	45970	39100	33030	27430	22510
BW1500L2 Compressor Model 4DL3-1500	107000	94200	82200	71400	61400	52300	43900	36210	29080
BW2000L2 Compressor Model 4DT3-2200	126000	109600	95600	83300	72300	62500	53400	44600	35900
BW2500L2 Compressor Model 6DL3-2700	157000	138000	121000	105500	91400	78300	66200	54600	43400
BW3000L2 Compressor Model 6DT3-3000	188000	164500	143400	124800	108300	93400	79600	66600	53900

PERFORMANCE CAPACITY 60Hz

Application Data Calculated at 65 °F. Return Gas, 0 °F. Liquid Subcooling, 105 °F Cond. Temp.

R-404A, R-507 LOW TEMPERATURE - CAPACITY (BTU/HR)

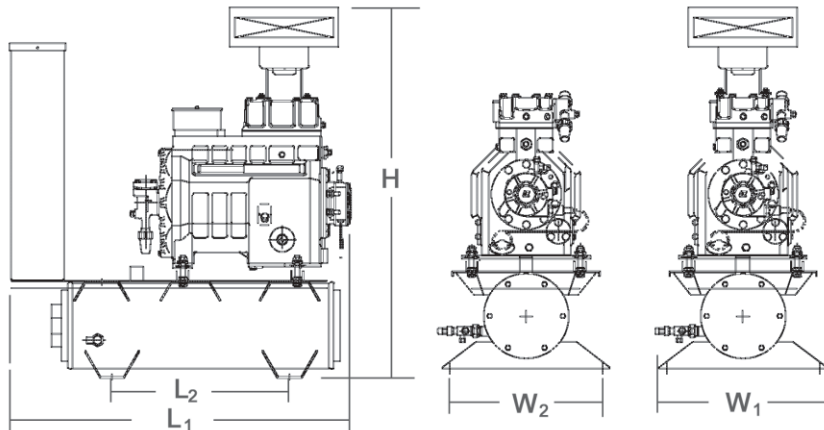
Unit Shipped with polyolester oil

Model No	Btuh Capacity / Saturated Suction Temperature °F							
	-5	-10	-15	-20	-25	-30	-35	-40
BW050L6 Compressor Model KAN-005E	3100	2700	2200	1900	1500	1200	930	710
BW075L6 Compressor Model KAM-007E	5200	4500	3900	3300	2800	2400	2000	1750
BW100L6 Compressor Model KAJ-010E	6900	6000	5200	4500	3800	3200	2690	2210
BW150L6 Compressor Model KAL-015E	10000	8800	7700	6600	5700	4800	4040	3320
BW200L6 Compressor Model EAD-021E	12000	10300	8800	7500	6300	5200	4340	3570
BW300L6 Compressor Model LAH-032E	21700	18800	16000	13500	11200	9100	7170	5450
BW350L6 Compressor Model 2DF3-030E	28900	25300	22000	19000	16300	13900	11630	9570
BW400L6 Compressor Model 2DL3-040E	34600	30400	26600	23100	19900	17000	14350	11890
BW600L6 Compressor Model 2DA3-060E	39300	34700	30500	26600	23100	19900	16890	14900
BW610L6 Compressor Model 3DA3A060E	47100	41600	36600	32000	27800	24000	20530	17390
BW750L6 Compressor Model 3DB3A075E	55500	49100	43200	37900	33100	28600	24480	20640
BW900L6 Compressor Model 3DF3A090E	68100	60200	52900	46300	40200	37400	29730	25180
BW1000L6 Compressor Model 3DS3A100E	76000	67500	59600	52400	45700	39500	33860	28700
BW1500L6 Compressor Model 4DL3-150E	102400	91100	81000	71800	63200	55200	47420	39770
BW2000L6 Compressor Model 4DT3-200E	123500	110200	97900	86400	75600	65400	55690	46290
BW2500L6 Compressor Model 6DL3-250E	157000	139400	122800	107400	93100	80000	67680	57180
BW3000L6 Compressor Model 6DT3-300E	176200	155900	137300	120300	104600	90300	77060	64860

SPECIFICATIONS 60Hz

Cond. Unit Model No.	Dimensions			Base Mtg. Ctrs.		Compressor Model No.	Rec. Cap @ 90%	Water Conn. (in.)	Liquid Line Valve	Suction Line Valve	Ship Wt. (lbs)
	H	W1	L1	L2	W2						
BW200M1	26 1/4	15 1/2	37 1/2	18	13	EAV-021E	35	3/4	3/8	7/8	394
BW290M1	26 1/4	15 1/2	39 1/4	18	13	LAH-031E	35	3/4	1/2	1 1/8	437
BW300M1	28 7/8	17	38	18	15 1/2	2DF3-030E	61	1 1/4	1/2	1 1/8	555
BW600M1	28 7/8	17	42 1/2	25	15 1/2	2DA3-060E	70	1 1/4	1/2	1 1/8	622
BW620M1	29 7/9	17	42	25	15 1/2	3DA3A060E	70	1 1/4	1/2	1 1/8	651
BW750M1	32	17	45 1/4	25	15 1/2	3DB3A075E	129	1 1/4	5/8	1 3/8	707
BW900M1	32	17	45 1/4	25	15 1/2	3DF3A090E	129	1 1/4	5/8	1 3/8	723
BW1000M1	32	27 1/2	51 1/2	38	15 1/2	3DS3A100E	145	1 1/4	7/8	1 3/8	846
BW1010M1	31 1/2	27 1/2	51 1/2	38	15 1/2	4DA3-100E	145	1 1/4	7/8	1 3/8	846
BW1500M1	33 5/8	27 1/2	51 5/8	38	15 1/2	4DH3-150E	205	1 1/2	1 1/8	1 5/8	981
BW075M2	25 5/8	15 1/2	35 1/4	14	13	KAN-0075	26	3/4	3/8	5/8	289
BW100M2	25 5/8	15 1/2	35 1/4	14	13	KAR-0100	26	3/4	3/8	5/8	291
BW150M2	26 1/4	15 1/2	36 1/2	18	13	KAG-0150	35	3/4	3/8	7/8	320
BW200M2	26 1/4	15 1/2	36 3/4	18	13	ERA-0200	35	3/4	3/8	7/8	390
BW050M6	25 5/8	15 1/2	35 1/4	14	13	HAI-005E	22	3/4	3/8	1/2	278
BW100M6	25 5/8	15 1/2	35 1/4	14	13	KAR-010E	22	3/4	3/8	5/8	293
BW200M6	26 1/4	15 1/2	37 1/2	18	13	KAK-020E	30	3/4	3/8	7/8	327
BW210M6	26 1/4	15 1/2	37 1/2	18	13	ERC-020E	30	3/4	3/8	7/8	400
BW300M8	28 3/4	17	36 1/2	18	15 1/2	ERF-031E	51	1 1/4	1/2	1 1/8	448
BW310M8	28 3/4	17	36 1/2	18	15 1/2	3RA-031E	51	1 1/4	1/2	1 1/8	468
BW500M8	28 7/8	17	42 1/2	25	15 1/2	2DC3-050E	59	1 1/4	1/2	1 1/8	623
BW510M8	28 7/8	17	42 1/2	25	15 1/2	2DD3-050E	59	1 1/4	1/2	1 1/8	623
BW750M8	33	17	45 1/4	25	15 1/2	2DL3-075E	109	1 1/4	5/8	1 3/8	659
BW760M8	32	17	45 1/4	25	15 1/2	3DA3A075E	109	1 1/4	5/8	1 3/8	692
BW1000M8	32	27 1/2	51 1/2	38	15 1/2	3DB3A100E	123	1 1/4	7/8	1 3/8	860
BW1500M8	34	27 1/2	51 5/8	38	15 1/2	3DS3A150E	173	1 1/2	1 1/8	1 5/8	943
BW2000M8	33 1/2	27 1/2	51 5/8	38	15 1/2	4DA3-200E	173	1 1/2	1 1/8	1 5/8	1000
BW2500M8	33 5/8	27 1/2	51 5/8	38	15 1/2	4DH3-250E	173	1 1/2	1 1/8	2 1/8	1020
BW3000M8	33 5/8	27 1/2	64	38	15 1/2	4DJ3-300E	196	2	1 1/8	2 1/8	1116
BW3500M8	33 7/8	27 1/2	77 1/2	38	18 1/2	6DH3-350E	231	2 1/2	1 3/8	2 1/8	1268
BW4000M8	36 5/8	27 1/2	77 1/2	38	18 1/2	6DJ3-400E	225	2 1/2	1 5/8	2 1/8	1371

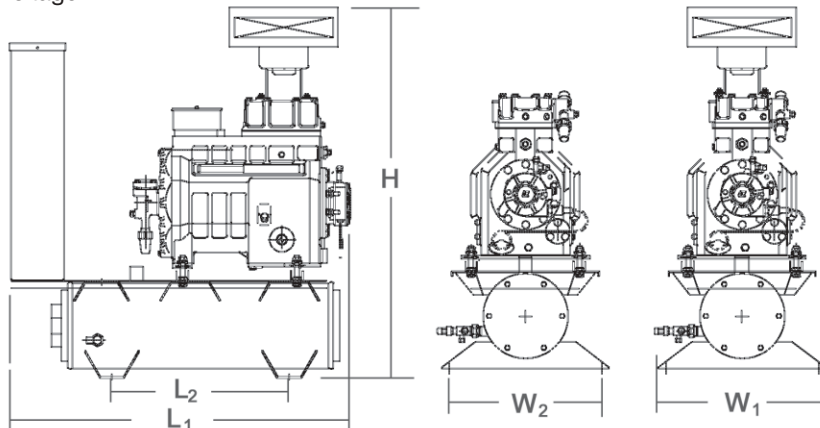
* 4th Digit Varies with Voltage



SPECIFICATIONS 60Hz

Cond. Unit Model No.	Dimensions			Base Mtg. Ctrs.		Compressor Model No.	Rec. Cap @ 90%	Water Conn. (in)	Liquid Line Valve	Suction Line Valve	Ship Wt. (lbs)
	H	W1	L1	L2	W2						
BW050L2	25 5/8	15 1/2	35 1/4	14	13	KAN-0050	26	3/4	3/8	5/8	281
BW075L2	25 5/8	15 1/2	35 1/4	14	13	KAM-0075	26	3/4	3/8	5/8	289
BW100L2	25 5/8	15 1/2	35 1/4	14	13	KAJ-0100	26	3/4	3/8	5/8	291
BW200L2	25 5/8	15 1/2	36 1/4	14	13	EAD-0200	26	3/4	3/8	7/8	355
BW300L2	35 1/4	15 1/2	38 1/4	18	13	LAHB-0311	35	3/4	1/2	1 1/8	477
BW350L2	37 7/8	17	38	18	15 1/2	2DF3-0300	60	1 1/4	1/2	1 3/8	611
BW400L2	37 7/8	17	38	18	15 1/2	2DL3-0400	60	1 1/4	1/2	1 3/8	629
BW600L2	37 7/8	17	42	25	15 1/2	2DA3-0600	69	1 1/4	1/2	1 3/8	673
BW610L2	37 3/4	17	42	25	15 1/2	3DA3A0600	69	1 1/4	5/8	1 3/8	741
BW750L2	37 3/4	17	42	25	15 1/2	3DB3A0750	69	1 1/4	5/8	1 3/8	724
BW900L2	37 3/4	17	42	25	15 1/2	3DF3A0900	69	1 1/4	7/8	1 3/8	748
BW1000L2	40	27 1/2	45 1/4	25	15 1/2	3DS3A1000	127	1 1/4	1 1/8	1 3/8	785
BW1500L2	36 7/8	27 1/2	45 1/4	25	15 1/2	4DL3-1500	127	1 1/4	1 1/8	1 5/8	853
BW2000L2	36 7/8	27 1/2	51 1/2	38	15 1/2	4DT3-2200	143	1 1/4	1 1/8	2 1/8	954
BW2500L2	39 7/8	27 1/2	51 1/2	38	15 1/2	6DL3-2700	143	1 1/4	1 1/8	2 1/8	1041
BW3000L2	44 3/4	27 1/2	51 5/8	38	15 1/2	6DT3-3000	201	1 1/2	1 5/8	2 1/8	1145
BW050L6	25 5/8	15 1/2	35 1/4	14	13	KAN-005E	22	3/4	3/8	5/8	289
BW075L6	25 5/8	15 1/2	35 1/4	14	13	KAM-007E	22	3/4	3/8	5/8	288
BW100L6	25 5/8	15 1/2	35 1/4	14	13	KAJ-010E	22	3/4	3/8	5/8	296
BW150L6	25 5/8	15 1/2	35 1/4	14	13	KAL-015E	22	3/4	3/8	7/8	298
BW200L6	25 5/8	15 1/2	36 1/4	14	13	EAD-020E	22	3/4	3/8	7/8	370
BW300L6	35 1/4	15 1/2	38 1/4	18	13	LAH-032E	30	3/4	1/2	1 1/8	473
BW350L6	37 7/8	17	38	18	15 1/2	2DF3-030E	51	1 1/4	1/2	1 3/8	590
BW400L6	37 7/8	17	38	18	15 1/2	2DL3-040E	51	1 1/4	1/2	1 3/8	595
BW600L6	37 7/8	17	42 1/2	25	15 1/2	2DA3-060E	59	1 1/4	1/2	1 3/8	658
BW610L6	37 3/4	17	42	25	15 1/2	3DA3A060E	59	1 1/4	5/8	1 3/8	685
BW750L6	37 3/4	17	42	25	15 1/2	3DB3A075E	59	1 1/4	5/8	1 3/8	709
BW900L6	40	17	45 1/4	25	15 1/2	3DF3A090E	109	1 1/4	7/8	1 3/8	733
BW1000L6	40	27 1/2	45 1/4	25	15 1/2	3DS3A100E	109	1 1/4	1 1/8	1 3/8	753
BW1500L6	36 7/8	27 1/2	51 1/2	38	15 1/2	4DL3-150E	123	1 1/4	1 1/8	1 5/8	944
BW2000L6	36 7/8	27 1/2	51 1/2	38	15 1/2	4DT3-220E	123	1 1/4	1 1/8	2 1/8	949
BW2500L6	41 7/8	27 1/2	51 2/3	38	15 1/2	6DL3-270E	173	1 1/2	1 1/8	2 1/8	1091
BW3000L6	44 3/4	27 1/2	51 2/3	38	15 1/2	6DT3-300E	173	1 1/2	1 1/8	2 1/8	1140

* 4th Digit Varies with Voltage



Head cooling fan may or may not be required.

ELECTRICAL DATA 60Hz

Model	Power Supply	Compressor		M.C.A.	M.O.P.
		RLA	LRA		
BW200M1 - 1S2	208-230/1/60	14.7	102	19.2	30
BW200M1 - IT3	208-230/3/60	7.4	50	10.1	15
BW290M1 - IS2	208-230/1/60	16.6	93	21.6	35
BW290M1 - IT3	208-230/3/60	8.5	82	11.5	20
BW300M1 - IS2	230/1/60	25.8	125	32.3	50
BW300M1 - IT3	208-230/3/60	16.8	102	21.0	35
BW300M1 - IT4	460/3/60	8.1	52	10.1	20
BW300M1 - IT5	575/3/60	6.7	41	8.4	15
BW600M1 - IT3	208-230/3/60	28.8	161	36.0	60
BW600M1 - IT4	460/3/60	10.2	60	12.8	20
BW600M1 - IT5	575/3/60	9.1	49	11.4	20
BW620M1 - IT3	208-230/3/60	30.3	150	37.9	70
BW620M1 - IT4	460/3/60	13.7	77	17.1	30
BW620M1 - IT5	575/3/60	10.5	62	13.1	25
BW750M1 - IT3	208-230/3/60	31.5	161	39.4	70
BW750M1 - IT4	460/3/60	16.1	83	20.1	35
BW750M1 - IT5	575/3/60	11.0	67	13.8	25
BW900M1 - IT3	208-230/3/60	39.0	215	48.8	90
BW900M1 - IT4	460/3/60	16.9	106	21.1	40
BW900M1 - IT5	575/3/60	16.5	84	20.6	40
BW1000M1 - IT3	208-230/3/60	42.0	215	52.5	90
BW1000M1 - IT4	460/3/60	18.6	106	23.3	40
BW1000M1 - IT5	575/3/60	16.8	84	21.0	40
BW1010M1 - IT3	208-230/3/60	42.0	240	52.5	90
BW1010M1 - IT4	460/3/60	21.0	120	26.3	50
BW1010M1 - IT5	575/3/60	17.5	106	21.9	40
BW1500M1 - IT3	208-230/3/60	58.0	278	72.5	125
BW1500M1 - IT4	460/3/60	29.0	139	36.3	60
BW1500M1-IT5	575/3/60	24.3	113	30.4	50

M.C.A. = Minimum Circuit Ampacity

M.O.P. = Maximum Overcurrent Protection

ELECTRICAL DATA 60Hz

Model	Power Supply	Compressor		M.C.A.	M.O.P.
		RLA	LRA		
BW075M2 - IS2	208-230/1/60	6.1	36	8.3	15
BW075M2 - IT3	208-230/3/60	3.5	20	5.1	15
BW100M2 - IS2	208-230/1/60	7.4	40	10.0	15
BW100M2 - IT3	208-230/3/60	4.3	27	6.1	15
BW100M2 - IT4	460/3/60	2.2	14	3.1	15
BW150M2 - IS2	208-230/1/60	9.6	55	12.7	20
BW150M2 - IT3	208-230/3/60	5.5	35	7.6	15
BW150M2 - IT4	460/3/60	2.5	18	3.5	15
BW200M2 - IS2	230/1/60	10.4	58	13.0	20
BW200M2 - IT3	208-230/3/60	6.6	46	8.3	15
BW200M2 - IT4	460/3/60	3.5	23	4.5	15
BW200M2 - IT5	575/3/60	3.5	20	4.5	15

M.C.A. = Minimum Circuit Ampacity

M.O.P. = Maximum Overcurrent Protection

ELECTRICAL DATA 60Hz

Model	Power Supply	Compressor		M.C.A.	M.O.P.
		RLA	LRA		
BW075L2 - IS2	208-230/1/60	5.6	36	7.7	15
BW075L2 - IT3	208-230/3/60	3.2	20	4.7	15
BW100L2 - IS2	208-230/1/60	6.9	40	9.3	15
BW100L2 - IT3	208-230/3/60	4.5	27	6.5	15
BW200L2 - IS2	208-230/1/60	8.4	58	13.4	20
BW200L2 - IT3	208-230/3/60	6.8	46	8.9	15
BW300L2 - IS2	208-230/1/60	16.6	93	21.7	35
BW300L2 - IT3	208-230/3/60	10.7	82	16.9	25
BW350L2 - IT3	208-230/3/60	16.8	102	21.9	35
BW350L2 - IT4	460/3/60	8.1	52	10.6	15
BW350L2 - IT5	575/3/60	6.7	41	8.8	15
BW400L2 - IT3	208-230/3/60	26.3	161	33.7	60
BW400L2 - IT4	460/3/60	10.2	60	13.2	20
BW400L2 - IT5	575/3/60	7.7	49	10.0	15
BW600L2 - IT3	208-230/3/60	28.2	161	36.9	60
BW600L2 - IT4	460/3/60	10.2	60	13.2	20
BW600L2 - IT5	575/3/60	9.1	49	11.8	20
BW610L2 - IT3	208-230/3/60	30.3	150	38.7	60
BW610L2 - IT4	460/3/60	13.7	77	17.6	30
BW610L2 - IT5	575/3/60	10.5	62	13.5	20
BW750L2 - IT3	208-230/3/60	31.5	161	40.2	70
BW750L2 - IT4	460/3/60	16.1	83	20.6	35
BW750L2 - IT5	575/3/60	11.0	67	14.2	25
BW900L2 - IT3	208-230/3/60	39.0	215	49.6	90
BW900L2 - IT4	460/3/60	16.9	106	21.6	35
BW900L2 - IT5	575/3/60	16.5	84	21.0	35
BW1000L2 - IT3	208-230/3/60	42.0	215	53.4	90
BW1000L2 - IT4	460/3/60	18.8	106	23.7	40
BW1000L2 - IT5	575/3/60	16.8	84	21.4	35

M.C.A. = Minimum Circuit Ampacity

M.O.P. = Maximum Overcurrent Protection

ELECTRICAL DATA 60Hz

Model	Power Supply	Compressor		M.C.A.	M.O.P.
		RLA	LRA		
BW1500L2 - IT3	208-230/3/60	52.6	278	66.6	110
BW1500L2 - IT4	460/3/60	26.3	139	33.3	60
BW1500L2 - IT5	575/3/60	20.9	113	26.5	40
BW2000L2 - IT3	208-230/3/60	66.0	374	83.4	150
BW2000L2 - IT4	460/3/60	33.0	187	41.7	70
BW2000L2 - IT5	575/3/60	24.2	135	30.7	50
BW2500L2 - IT3	208-230/3/60	80.8	450	101.9	175
BW2500L2 - IT4	460/3/60	40.4	225	50.9	90
BW2500L2 - IT5	575/3/60	32.5	172	41.0	70
BW3000L2 - IT3	208-230/3/60	95.6	470	120.4	200
BW3000L2 - IT4	460/3/60	47.8	235	60.2	110
BW3000L2 - IT5	575/3/60	39.6	200	49.9	90
BW050M6 - IS2	208-230/1/60	3.7	22	5.5	15
BW100M6 - IS2	208-230/1/60	7.4	40	10.1	15
BW100M6 - IT3	208-230/3/60	4.3	27	6.2	15
BW200M6 - IS2	208-230/1/60	10.6	55	14.1	20
BW200M6 - IT3	208-230/3/60	6.8	50	9.4	15
BW210M6 - IT3	208-230/3/60	8.8	46	11.9	20
BW210M6 - IT4	460/3/60	3.5	23	2.9	15
BW300M8 - IT3	208-230/3/60	13.1	82	16.4	25
BW300M8 - IT4	460/3/60	6.4	41	8.0	15
BW310M8 - IT3	208-230/3/60	13.1	82	16.4	25
BW500M8 - IT3	208-230/3/60	22.3	120	27.9	50
BW500M8 - IT4	460/3/60	10.4	60	13.0	25
BW500M8 - IT5	575/3/60	7.7	49	9.6	20

M.C.A. = Minimum Circuit Ampacity
M.O.P. = Maximum Overcurrent Protection

ELECTRICAL DATA 60Hz

Model	Power Supply	Compressor		M.C.A.	M.O.P.
		RLA	LRA		
BW510M8 - IT3	208-230/3/60	22.3	120	27.9	50
BW510M8 - IT4	460/3/60	10.5	60	13.1	25
BW510M8 - IT5	575/3/60	7.9	49	9.9	15
BW750M8 - IT3	208-230/3/60	31.6	169	39.5	70
BW750M8 - IT4	460/3/60	13.8	85	17.3	30
BW750M8 - IT5	575/3/60	13.2	67	16.5	30
BW760M8 - IT3	208-230/3/60	41.0	215	51.3	90
BW760M8 - IT4	460/3/60	20.0	106	25.0	40
BW760M8 - IT5	575/3/60	16.5	84	20.6	40
BW1000M8 - IT3	208-230/3/60	43.6	215	54.5	100
BW1000M8 - IT4	460/3/60	20.0	106	25.0	40
BW1000M8 - IT5	575/3/60	16.5	84	20.6	40
BW1500M8 - IT3	208-230/3/60	59.6	275	74.5	125
BW1500M8 - IT4	460/3/60	29.0	138	36.3	60
BW1500M8 - IT5	575/3/60	23.6	110	29.5	50
BW2000M8 - IT3	208-230/3/60	66.0	308	82.5	150
BW2000M8 - IT4	460/3/60	33.0	154	41.3	70
BW2000M8 - IT5	575/3/60	24.7	135	30.9	50
BW2500M8 - IT3	208-230/3/60	82.2	428	102.8	175
BW2500M8 - IT4	460/3/60	41.1	214	51.4	90
BW2500M8 - IT5	575/3/60	34.4	172	43.0	70
BW3000M8 - IT3	208-230/3/60	94.0	470	117.5	200
BW3000M8 - IT4	460/3/60	47.0	235	58.8	100
BW3000M8 - IT5	575/3/60	39.3	200	49.1	80
BW3500M8 - IT3	208-230/3/60	107.0	565	133.8	225
BW3500M8 - IT4	460/3/60	53.5	283	66.9	110
BW3500M8 - IT5	575/3/60	42.5	230	53.1	90
BW4000M8 - IT3	230/3/60	142.0	594	177.5	300
BW4000M8 - IT4	460/3/60	71.0	297	88.8	150
BW4000M8 - IT5	575/3/60	53.5	245	66.9	110
BW050L6 - IS2	208-230/1/60	3.6	24	4.5	15
BW050L6 - IT3	208-230/3/60	2.2	13	2.7	15
BW075L6 - IS2	208-230/1/60	5.6	36	7.7	15
BW075L6 - IT3	208-230/3/60	3.2	20	4.7	15
BW100L6 - IS2	208-230/1/60	6.9	40	9.3	15
BW100L6 - IT3	208-230/3/60	4.6	27	6.5	15
BW100L6 - IT4	460/3/60	2.1	15	2.6	15
BW150L6 - IS2	208-230/1/60	9.9	55	13.1	20
BW150L6 - IT3	208-230/3/60	6.6	50	9.0	15
BW150L6 - IT4	460/3/60	3.4	25	4.3	15
BW200L6 - IS2	230/1/60	10.0	58	13.4	20
BW200L6 - IT3	208-230/3/60	6.8	46	8.9	15

M.C.A. = Minimum Circuit Ampacity

M.O.P. = Maximum Overcurrent Protection

ELECTRICAL DATA 60Hz

Model	Power Supply	Compressor		M.C.A.	M.O.P.
		RLA	LRA		
BW300L6 - IS2	208-230/1/60	16.7	105	21.7	30
BW300L6 - IT3	208-230/3/60	12.8	112	16.9	30
BW300L6 - IT4	460/3/60	6.0	56	7.5	15
BW350L6 - IS2	230/1/60	25.8	125	33.1	60
BW350L6 - IT3	208-230/3/60	16.8	102	21.9	30
BW350L6 - IT4	460/3/60	8.1	52	10.6	15
BW350L6 - IT5	575/3/60	6.7	41	8.8	15
BW400L6 - IT3	208-230/3/60	26.3	161	33.7	60
BW400L6 - IT4	460/3/60	10.2	60	13.2	20
BW400L6 - IT5	575/3/60	7.7	49	10.0	20
BW600L6 - IT3	208-230/3/60	28.8	161	36.9	60
BW600L6 - IT4	460/3/60	10.2	60	13.2	20
BW600L6 - IT5	575/3/60	9.1	49	11.8	20
BW610L6 - IT3	208-230/3/60	30.3	150	38.7	60
BW610L6 - IT4	460/3/60	13.7	77	17.6	30
BW610L6 - IT5	575/3/60	10.5	62	13.5	20
BW750L6 - IT3	208-230/3/60	31.5	161	40.2	70
BW750L6 -IT4	460/3/60	16.1	83	20.6	30
BW750L6 - IT5	575/3/60	11.0	67	14.2	25
BW900L6 - IT3	208-230/3/60	39.0	215	49.6	80
BW900L6 - IT4	460/3/60	16.9	106	21.6	30
BW900L6 - IT5	575/3/60	16.5	84	21.0	30
BW1000L6 - IT3	208-230/3/60	42.0	215	53.4	90
BW1000L6 - IT4	460/3/60	18.6	106	23.7	40
BW1000L6 - IT5	575/3/60	16.8	84	21.4	30
BW1500L6 - IT3	208-230/3/60	52.6	278	66.6	110
BW1500L6 - IT4	460/3/60	26.3	139	33.3	60
BW1500L6 - IT5	575/3/60	20.9	113	26.5	40
BW2000L6 - IT3	208-230/3/60	66.0	374	83.4	150
BW2000L6 - IT4	460/3/60	33.0	187	41.7	70
BW2000L6 - IT5	575/3/60	24.2	135	30.7	50
BW2500L6 - IT3	208-230/3/60	80.8	450	101.9	175
BW2500L6 - IT4	460/3/60	40.4	225	50.9	90
BW2500L6 - IT5	575/3/60	32.5	172	41.0	70
BW3000L6 - IT3	208-230/3/60	95.6	470	120.4	200
BW3000L6 - IT4	460/3/60	47.8	235	60.2	100
BW3000L6 - IT5	575/3/60	39.6	200	49.9	90

M.C.A. = Minimum Circuit Ampacity
M.O.P. = Maximum Overcurrent Protection

REFRIGERATION PRODUCTS

**General Sales, Parts & Service
Manufacturing & Engineering
135 Little Nine Drive, Morehead City, NC 28557
252-240-2829 • FAX: 252-240-0384**

DISTRIBUTED INTERNATIONALLY BY:



A Division of Balmac International Inc.

61 BROADWAY • SUITE 1900 • NEW YORK, NY 10006-2701
PHONE: 212-898-9699 • 212-514-9230
Fax: 212-514-9234 • Alt. Fax: 212-898-9634
e-mail: bmil@bmil.com • www.bmil.com



Due to Manufacturer's policy of continuous product improvement, the Manufacturer reserves the right to make changes without notice.