

Bally

REFRIGERATORS

VALUE LINE FREEZERS

Refrigerator

WORKTOP FREEZERS

Utilizing Environmentally Safe, CFC-free R-404A Refrigerant



SWF27-BS



SWF48



SWF60

Standard Features

- Modern, State-of-the-Art Styling
- Performance Rated Refrigeration System Utilizing Environmentally Safe R-404A Refrigerant
- Easily Serviceable Back Mounted Compressor
- 2" Non-CFC Polyurethane Foam Insulation
- Spring Loaded, Self Closing Door
- Magnetic Snap-In Gasket
- Adjustable 6" Legs
- Heavy-Duty, Epoxy-Coated Steel Shelves
- Interior Hanging Thermometer
- Unique Air Flow Distribution Keeps Product at Uniformly Constant Temperatures
- Cabinet Construction Consisting of Stainless Steel Front and Top, Aluminum End Panels, Case Back and Interior
- Non-Corrosive, Plasticized Fin Evaporator Coil
- Completely Enclosed, Vented and Removable Case Back
- Automatic, Energy Saving, Non-Electric Condensate Disposal
- 10' Cord and Plug Attached
- Automatic Electric Defrost

Optional Features & Accessories

- | | |
|---|--|
| • Casters | • Stainless Steel Legs |
| • Remote Models-R | • Back Splash-BS |
| • Stainless Steel End Panels-SA Models | • Stainless Steel Rear Cover in Lieu of Aluminum |
| • Stainless Steel Interior & Exterior-SS Models | • Glass Door-GD (SWF27 only) |
| • Electric Condensate | • Door Locks |
| • Additional Shelves | |



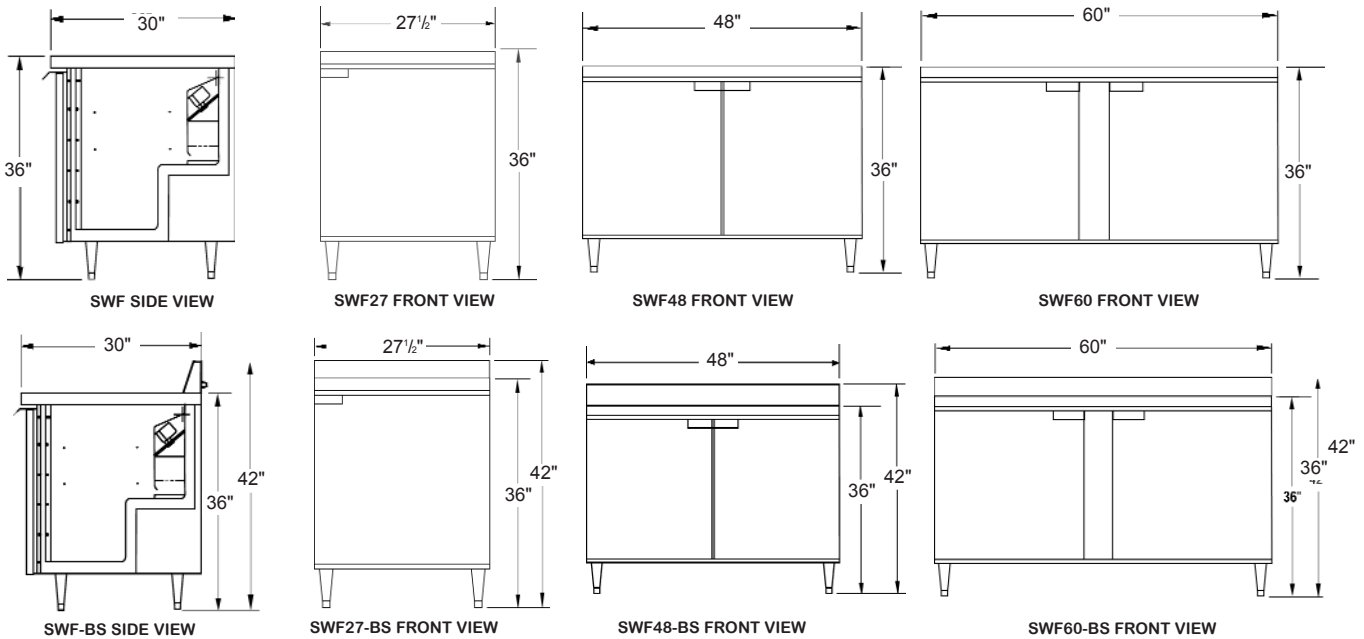
c





SPECIFICATIONS

	SWF27	SWF27-BS	SWF48	SWF48-BS	SWF60	SWF60-BS
DIMENSIONAL DATA						
Net Capacity (cu. ft.)	7.4	7.4	13.4	13.4	17.0	17.0
Width, Overall (in.)	27½	27½	48	48	60	60
Depth, Overall (incl. Hdls.) (in.)	30	30	30	30	30	30
Depth, Body Only (Less Door(s))(in.)	27½	27½	27½	27½	27½	27½
Height, Overall (incl. 6" Legs) (in.)	36	42	36	42	36	42
Shelf Area (sq. ft.)	3.5	3.5	6.8	6.8	8.1	8.1
No. of Shelves	1	1	2	2	2	2
No. of Doors	1	1	2	2	2	2
Interior Depth (in.)	20	20	20	20	20	20
Interior Height (in.)	26¼	26¼	26¼	26¼	26¼	26¼
Interior Width (in.)	24½	24½	44	44	56	56
Condensing Unit Size (H.P.)	¼	¼	⅓	⅓	⅓	⅓
Cabinet Electrical	115/60/1	115/60/1	115/60/1	115/60/1	115/60/1	115/60/1
Amps	5.9	5.9	7.6	7.6	7.8	7.8
Fans	1	1	2	2	2	2
Shipping Weight (lbs.)	165	170	248	248	284	297
Shipping Height (in.)	43¼	43¼	43¼	43¼	43¼	43¼
Shipping Length (in.)	35¾	35¾	55	55	68¼	68¼
Shipping Depth (in.)	37¼	37¼	37¼	37¼	37¼	37¼



A Division of BALMAC International, Inc.
 61 Broadway Suite 1900, New York, NY 10006-2701
 (212) 898-9699 Fax: (212) 514-9234
www.bmil.com - bmil@bmil.com