

# Bally

## REFRIGERATORS

### VALUE LINE FREEZERS

## Refrigerator

### FRONT BREATHER WORKTOP FREEZERS

Utilizing Environmentally Safe, CFC-free R-404A Refrigerant



SWF48-BS-FB

SWF27-FB

#### Models Available

- Model SWF27-FB
- Model SWF27-BS-FB
- Model SWF48-FB
- Model SWF48-BS-FB
- Model SWF60-FB
- Model SWF60-BS-FB

#### Standard Features

- Unique Field Assembled, Bottom Mounted Ventilation System Designed To Allow Cabinets To Be Flush Against A Wall Or Built Into A Counter To Conserve Space
- Modern, State-of-the Art Styling
- Performance Rated Refrigeration System Utilizing Environmentally Safe R-404A Refrigerant
- Unique Airflow Distribution Keeps Product at Uniformly Constant Temperatures
- Easily Serviceable Back Mounted Compressor
- 2" Non-CFC Polyurethane Foam Insulation
- Spring Loaded, Self Closing Door
- Magnetic Snap-In Gasket
- 3<sup>5</sup>/<sub>8</sub>" Casters
- Heavy-Duty, Epoxy-Coated Steel Shelves
- Interior Hanging Thermometer
- Cabinet Construction Consisting of Stainless Steel Front & Top, Aluminum End Panels, Case Back & Interior
- Non-Corrosive, Plasticized Fin Evaporator Coil
- Completely Enclosed, Vented & Removable Case Back
- Automatic, Energy Saving, Non-Electric Condensate Disposal
- Automatic Electric Defrost
- 10 ft Cord and Plug Attached

#### Optional Features & Accessories

- |  |                      |
|--|----------------------|
| •Remote Models-R                               | •Electric Condensate |
| •Stainless Steel End Panels-SA Models          | •Additional Shelves  |
| •Stainless Steel Interior & Exterior-SS Models | •Single Over Shelf   |
|  | •Double Over Shelf   |
|  | •Door Locks          |



c

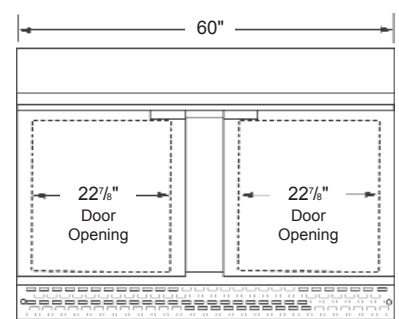
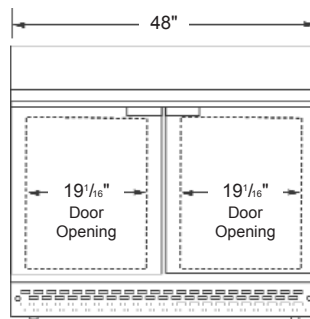
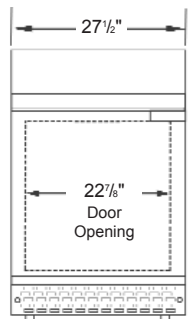
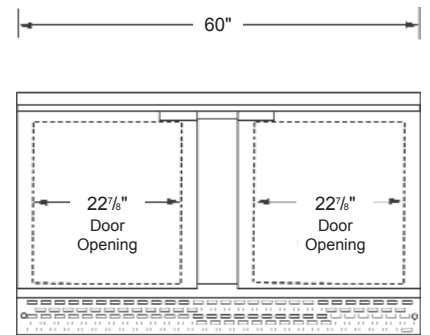
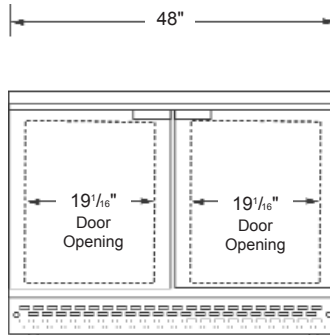
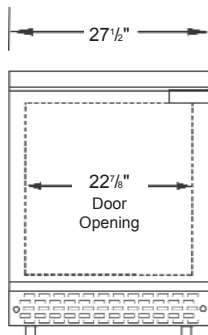
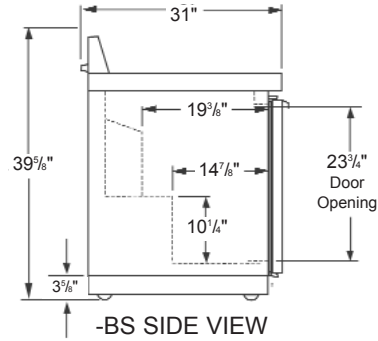
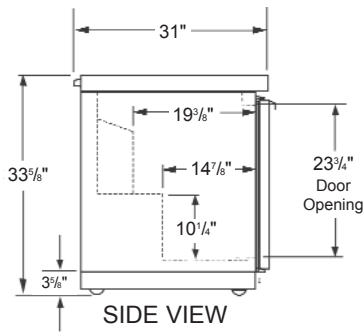




# VALUE LINE

## FREEZERS

MODEL	CU.FT.	EXT.DIM. (WxDxH)	SHELF AREA	SHELVES	DOORS	HP	VOLTS	AMPS	FANS	SHIP WGHT (lbs)
SWF27-FB	7.4	27 <sup>1</sup> / <sub>2</sub> x30x33 <sup>5</sup> / <sub>8</sub>	3.5	1	1	1/4	115	5.9	1	168
SWF27-BS-FB	7.4	27 <sup>1</sup> / <sub>2</sub> x30x39 <sup>5</sup> / <sub>8</sub>	3.5	1	1	1/4	115	5.9	1	170
SWF48-FB	13.4	48x30x33 <sup>5</sup> / <sub>8</sub>	6.8	2	2	1/3	115	7.6	2	248
SWF48-BS-FB	13.4	48x30x39 <sup>5</sup> / <sub>8</sub>	6.8	2	2	1/3	115	7.6	2	255
SWF60-FB	17.0	60x30x33 <sup>5</sup> / <sub>8</sub>	8.1	2	2	1/3	115	7.8	2	284
SWF60-BS-FB	17.0	60x30x39 <sup>5</sup> / <sub>8</sub>	8.1	2	2	1/3	115	7.8	2	297



A Division of BALMAC International, Inc.  
 61 Broadway Suite 1900, New York, NY 10006-2701  
 (212) 898-9699 Fax: (212) 514-9234  
[www.bmil.com](http://www.bmil.com) - [bmil@bmil.com](mailto:bmil@bmil.com)