

# Bally

## REFRIGERATORS

### VALUE LINE REFRIGERATORS

## Refrigerator

### FRONT BREATHER WORKTOP REFRIGERATORS

Utilizing Environmentally Safe, CFC-free R-134a Refrigerant



SW48-BS-FB

#### Models Available

- SW27-FB
- SW27-BS-FB
- SW48-FB
- SW48-BS-FB
- SW60-FB
- SW60-BS-FB
- SW72-FB
- SW72-BS-FB

#### Standard Features

- Unique Field Assembled, Bottom Mounted Ventilation System Designed to Allow Cabinets to be Flush Against a Wall or Built into a Counter to Conserve Space
- Modern, State-of-the Art Styling
- Performance Rated Refrigeration System Utilizing Environmentally Safe R-134a Refrigerant
- Unique Airflow Distribution Keeps Product at Uniformly Constant Temperatures
- Easily Serviceable Back Mounted Compressor
- 2" Non-CFC Polyurethane Foam Insulation
- Spring Loaded, Self Closing Door
- Magnetic Snap-In Gasket
- 3 $\frac{5}{8}$ " Casters
- Heavy-Duty, Epoxy-Coated Steel Shelves
- Interior Hanging Thermometer
- Cabinet Construction Consisting of Stainless Steel Front & Top, Aluminum End Panels, Case Back & Interior
- Non-Corrosive, Plasticized Fin Evaporator Coil
- Completely Enclosed, Vented & Removable Case Back
- Automatic, Energy Saving, Non-Electric Condensate Disposal
- 10 ft Cord and Plug Attached

#### Optional Features & Accessories

- Glass Door Models
- Remote Models-R
- Stainless Steel End Panels-SA Models
- Stainless Steel Interior & Exterior-SS Models
- Electric Condensate
- Additional Shelves
- Single Over Shelf
- Double Over Shelf
- Door Locks

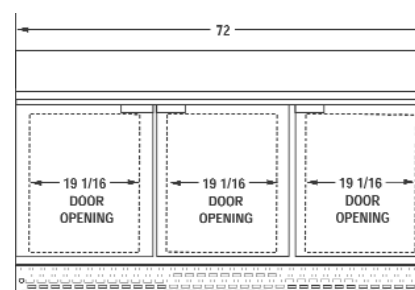
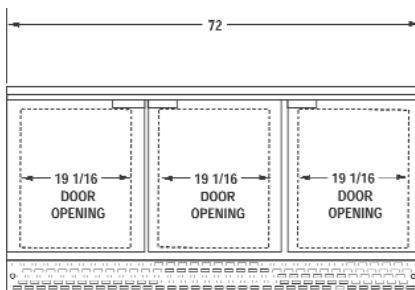
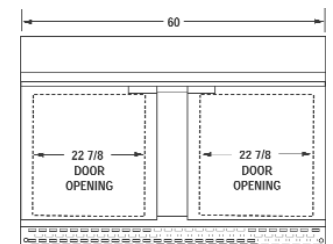
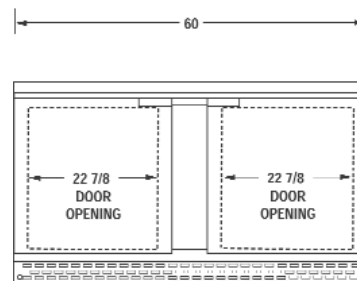
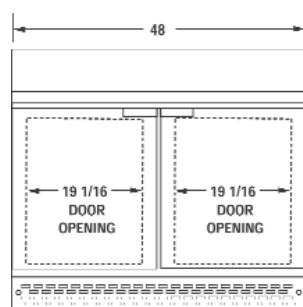
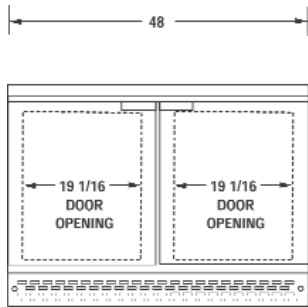
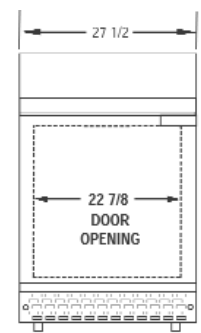
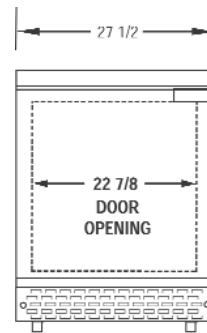
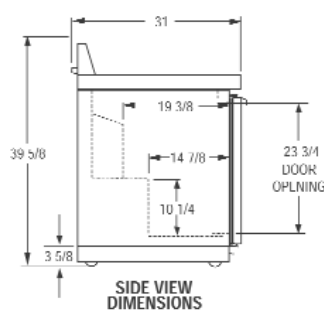
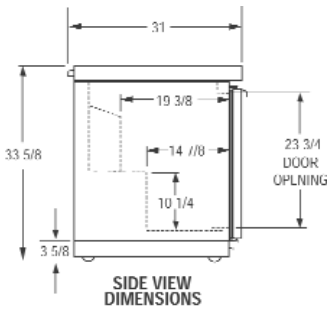




# ALUE LINE

## REFRIGERATORS

| MODEL      | CU.FT. | EXT.DIM.<br>(WxDxH)                   | SHELF<br>AREA | SHELVES | DOORS | HP  | VOLTS | AMPS | FANS | SHIP<br>WGHT<br>(lbs) |
|------------|--------|---------------------------------------|---------------|---------|-------|-----|-------|------|------|-----------------------|
| SW27-FB    | 7.4    | 27 $\frac{1}{2}$ x30x33 $\frac{5}{8}$ | 3.5           | 1       | 1     | 1/5 | 115   | 6.1  | 2    | 165                   |
| SW27-BS-FB | 7.4    | 27 $\frac{1}{2}$ x30x39 $\frac{5}{8}$ | 3.5           | 1       | 1     | 1/5 | 115   | 6.1  | 2    | 170                   |
| SW48-FB    | 13.4   | 48x30x33 $\frac{5}{8}$                | 6.8           | 2       | 2     | 1/5 | 115   | 7.1  | 3    | 248                   |
| SW48-BS-FB | 13.4   | 48x30x39 $\frac{5}{8}$                | 6.8           | 2       | 2     | 1/5 | 115   | 7.1  | 3    | 258                   |
| SW60-FB    | 17.0   | 60x30x33 $\frac{5}{8}$                | 8.1           | 2       | 2     | 1/4 | 115   | 7.6  | 3    | 284                   |
| SW60-BS-FB | 17.0   | 60x30x39 $\frac{5}{8}$                | 8.1           | 2       | 2     | 1/4 | 115   | 7.6  | 3    | 297                   |
| SW72-FB    | 20.6   | 72x30x33 $\frac{5}{8}$                | 10.2          | 3       | 3     | 1/4 | 115   | 8.6  | 4    | 318                   |
| SW72-BS-FB | 20.6   | 72x30x39 $\frac{5}{8}$                | 10.2          | 3       | 3     | 1/4 | 115   | 8.6  | 4    | 334                   |



A Division of BALMAC International, Inc.  
 61 Broadway Suite 1900, New York, NY 10006-2701  
 (212) 898-9699 Fax: (212) 514-9234  
[www.bmil.com](http://www.bmil.com) - [bmil@bmil.com](mailto:bmil@bmil.com)