

# Bally

## REFRIGERATORS

### VALUE LINE

DUAL TEMPS

## Refrigerator

**SIDE BY SIDE  
DUAL TEMPS**

Utilizing Environmentally Safe, CFC-free R-134a & R-404A Refrigerant

### Standard Features



2RF



3RRF

- Modern, State-of-the-Art Styling
- Performance Rate Refrigeration Systems
- 3" Non-CFC Polyurethane Foam Insulation
- Chrome-Plated Flow Line Handles
- Cam-Action Lift-Off Hinges
- Self-Closing Doors
- Automatic Interior Lighting
- Magnetic Snap-In Gaskets
- Cylinder Lock In Each Door
- Automatic Electric Condensate Evaporator
- 5" Casters
- Heavy Duty Epoxy-Coated Steel Shelves
- External Dial Thermometer
- Automatic Electric Defrost on Freezer Systems

Standard (S/S Front, Aluminum Ends & Interior)  
 Suffix SA (S/S Exterior, Aluminum Interior)  
 Suffix SS (S/S Exterior & Interior)

### Models Available

- 2RF
- 3RRF
- 3RFF

### Optional Features & Accessories

- Half-Door
- Pass-Thru
- Remote
- Hinged Glass Doors
- Shallow Depth
- Warmer - Dual Temp Option
- Legs
- Stainless Steel Back
- Pan Slide Assemblies
- Stainless Steel Shelves
- Rehinging of Doors
- Increased Refrigeration Systems
- Digital Thermometer



c





**CHARACTERISTICS**

**DIMENSIONAL DATA**

	2RF		3RRF		3RFF	
	Reach-In	Pass-Thru	Reach-In	Pass-Thru	Reach-In	Pass-Thru
Net Capacity (cu. ft.)	20/20	20/20	48/20	48/20	20/48	20/48
Width, Overall (in.)	52	52	78	78	78	78
Depth, Overall (Incl. Hlds.) (in.)	35½	39	35½	39	35½	39
Depth (Less Door(s)) (in.)	32	32	32	32	32	32
Depth (Doors(s) Open 90°) (in.)	55½	79	55½	79	55½	79
Clear Door Width (in.)	19⅜	19⅜	19⅜	19⅜	19⅜	19⅜
Clear Full-Door Height (in.)	58⅝	58⅝	58⅝	58⅝	58⅝	58⅝
Clear Half-Door Height (in.)	27½	27½	27½	27½	27½	27½
Height, Overall (Inc. 6" Legs)(in.)	82¼	82¼	82¼	82¼	82¼	82¼
No. of Full Door(s)	2	4	3	6	3	6
No. of Half Door(s)	4	8	6	12	6	12
No. of Shelves	6	6	9	9	9	9
Shelf Area (sq. ft.)	20.4/20.4	20.4/20.4	40.8/20.4	40.8/20.4	20.4/40.8	20.4/40.8
Tray Slide Capacity (Half)	12 ea.	12 ea.	12 ea.	12 ea.	12 ea.	12 ea.
Tray Slide Capacity (Full)	25 ea.	25 ea.	25 ea.	25 ea.	25 ea.	25 ea.

**REFRIGERATION DATA**

Condensing Unit Size (H.P.)	¼, ⅓	¼, ⅓	⅓, ⅓	⅓, ⅓	¼, ½	¼, ¾
Capacity (BTU/hr)*	1940/1590	1940/1590	2560/1590	2560/1590	1940,2470	1940/3575

**ELECTRICAL DATA**

Cabinet Specifications	115/60/1	115/60/1	115/60/1	115/60/1	115/60/1	115/60/1/208-230
Feed Wires (Incl. Ground)	3/3	3/3	3/3	3/3	3/3	3/4
Condensing Unit Specs.	115/60/1	115/60/1	115/60/1	115/60/1	115/60/1	115/60/1/208-230
Total Amperes	6.5/7.2	7.2/8.0	9.1/7.2	9.8/8.0	6.5/9.8	7.2/9.0
Cabinet Amperes	1.6/1.6	1.9/1.9	1.9/1.6	2.6/1.9	1.6/1.9	1.9/2.6
Defrost Amperes	5.2	5.2	5.2	5.2	6.5	6.5
Power Supply Cord	yes/yes	yes/yes	yes/yes	yes/yes	yes/yes	yes/no

**SHIPPING DATA**

Height – crated (in.)	85½	85½	85½	85½	85½	85½
Width – crated (in.)	64	64	90	90	90	90
Depth – crated (in.)	42	42	42	42	42	42
Volume – crated (cu.ft.)	133	133	187	187	187	187
Weight Std – crated (lbs.)	580	640	835	875	835	875
Weight SS – crated (lbs.)	660	720	950	990	950	990
Weight Std – uncrated (lbs.)	410	470	625	660	625	660
Weight SS – uncrated (lbs.)	330	360	740	780	740	780

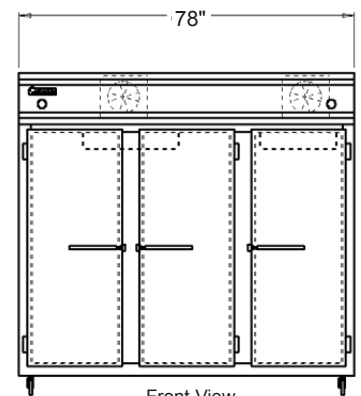
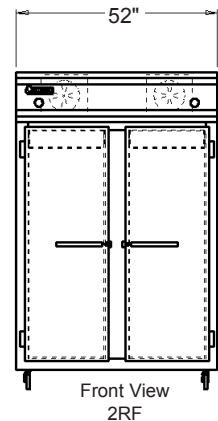
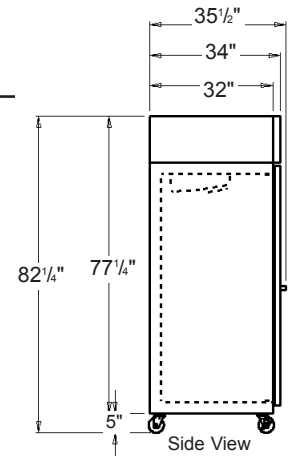
\*Rating @ +25°F Evaporator, 90° Ambient (Refrigerator)

\*Rating @ -15°F Evaporator, 90° Ambient (Freezer)

Note: All Specifications subject to change without notice.

Note: If the cabinet is located directly against wall and/or under low ceiling, a minimum clearance of 2" required.

Cabinet upper side panels and refrigeration plug systems can be easily removed and reinstalled at installation site where space limitations are confining.



A Division of BALMAC International, Inc.  
 61 Broadway Suite 1900, New York, NY 10006-2701  
 (212) 898-9699 Fax: (212) 514-9234  
[www.bmil.com](http://www.bmil.com) - [bmil@bmil.com](mailto:bmil@bmil.com)