

Bally

REFRIGERATORS

VALUE LINE REFRIGERATORS

Refrigerator

SINGLE DRAFT BEER KEG COOLER

Utilizing Environmentally Safe, CFC-free R-134a Refrigerant



KC24

Standard Features

- Modern, State-of-the-Art Styling
- Performance Rated Refrigeration System Utilizing Environmentally Safe R-134a Refrigerant
- Wear Resistant Black Vinyl Coated Steel Exterior with 304 Series Stainless Steel Countertop
- Heavy-Duty, Long Lasting, Galvanized Steel Interior with Reinforced Stainless Steel Floor
- Stainless Steel Reinforced Threshold Sills for Ease of Loading
- Cylinder Keyed Security Lock and Magnetic Snap-In Gasket on Each Door
- Full Length, Extra Large, Non-Corrosive, Plasticized Fin Evaporator Coil Provides Uniform Air Flow Distribution To Maintain Constant Keg Temperature and Quick Uniform Recovery
- Continuously Cooled 3" Diameter Beer Column with Stainless Steel Lever Faucet, and Keg Line Tubing with Clamps
- Easily Removable Stainless Steel Drip Tray with Interior Mounted Cleanout Drainage Bottle
- Easily Accessible and Serviceable Slide-Out Condensing Unit
- Readily Removable Rear Venting Louvred Grill and Side Louvres Allow Greater Condenser Air Flow for Tight Fit Installations
- Automatic, Energy Saving, Non-Electric Condensate Disposal
- High Density, Non-CFC Polyurethane Foamed-In-Place Insulation
- 4" Locking Casters

Optional Features & Accessories

- SS Models -
- Steel Exterior,
- Galvanized Steel Interior
- Shelf and Pilasters
- Electric Condensate
- Remote Models -R



c





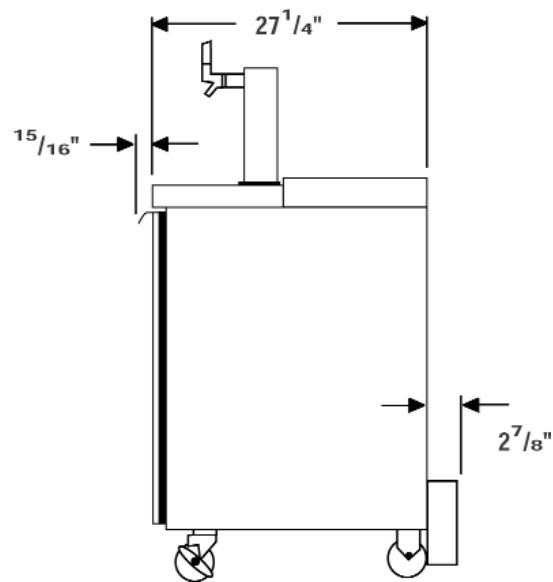
SPECIFICATIONS
DIMENSIONAL DATA

KC24

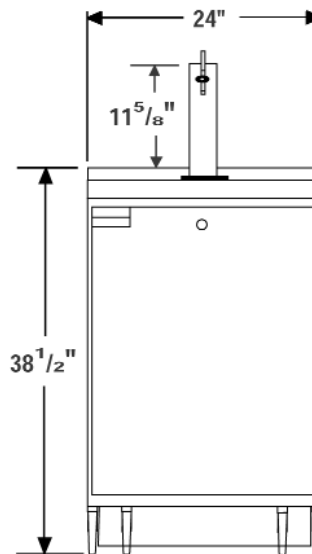
Net Capacity (cu. ft.)	8
Barrel Capacity — (# of Barrel Type Kegs)	1
Straight Wall Capacity — (# of Straight Wall Kegs)	1
Width, Overall (in.)	24
Depth, Overall, (in.)	31 ¹ / ₈
Height, Overall (in.) (Not Incl. 12" Towers)	38 ¹ / ₂
Number of Doors	1
Number of Beer Columns	1
Condensing Unit Size (H.P.)	¹ / ₆
Refrigerant	R-134a
Cabinet Electrical Specs	115/60/1
Total Amps	5.8
Power Supply Cord (10 ft.)	YES
Shipping Weight (lbs.)	175
Shipping Height (in.)	43 ¹ / ₄
Shipping Length (in.)	35 ³ / ₄
Shipping Depth (in.)	37 ¹ / ₄

Note: A minimum clearance of 3" on each side front and rear of cabinet is required for optimum performance

Note: All specifications subject to change without notice.



KC24 SIDE VIEW



KC24 FRONT VIEW



A Division of BALMAC International, Inc.
61 Broadway Suite 1900, New York, NY 10006-2701
(212) 898-9699 Fax: (212) 514-9234
www.bmil.com - bmil@bmil.com