

Bally

REFRIGERATORS

Designer line

REFRIGERATORS

Utilizing Environmentally Safe, CFC-free R-134a Refrigerant



DLRB42-SS-F

Models Available

- DLRB42-SS-F
- DLRB67-SS-F

FISH FILE REFRIGERATED BASE

Standard Features

- Stainless Steel Exterior and Interior
- Modern, State-of-the-Art Styling
- Performance Rated Refrigeration System Utilizing Environmentally Safe R-134a Refrigerant
- Automatic, Energy Saving, Non-Electric Condensate Disposal System
- High Density, Non-CFC Polyurethane Foamed-In-Place Insulation
- Easily Accessible and Serviceable Front Slide-Out Condensing Unit
- Completely Enclosed, Vented, and Removable Case Back
- Plasticized Fin Coil
- Capillary Dial Thermometer
- Chrome-Plated Hardware
- Reinforced Rigid Work Table
- Easy Glide Drawers
- One Piece Snap-In Magnetic Gaskets
- Adjustable 6" Stainless Steel Legs
- Specially Designed for Fresh Fish Storage on Crushed Ice

Optional Features & Accessories

- Remote Models - R
- Electric Condensate
- Stainless Steel Rear Cover
- Back Splash - BS
- Casters
- Front Breathing Kit (-FB)

REFRIGERATION SYSTEM

A "Performance Rate", air-cooled, hermetically sealed, capillary type refrigeration system is installed on the top of each model. Plasticized finned coil and air circulating fans are contained within an easily accessible, low profile, interior ceiling mounted housing. Our refrigeration system, fully charged with R-134a refrigerant, is designed to maintain 38°-40° Fahrenheit while operating with an unrestricted air supply in an ambient temperature of 100° Fahrenheit. All evaporator condensate water is directed to the bottom where there is an automatic electric condensate vaporizer. A strict quality assurance team inspects all materials and components to certify that each model conforms to the most exacting standards. All models are performance tested for a minimum of 16 hours prior to crating.

CABINET CONSTRUCTION

All materials are of top quality, and are assembled under rigid supervision conforming to strict quality assurance requirements. Case is of all metal welded construction and is internally supported and braced for rigid unit construction. Exterior cabinet back and bottom are heavy gauge galvanized steel. Work top is constructed of heavy gauge polished stainless steel for durability. Cabinet design eliminates overlapping panels with raw edges. Interior corners are rounded with a 1/4" radius for cleaning ease. All cabinet joints and seams are vapor-tight sealed. Easily removable anti-sweat drawer heaters, concealed by a non-metallic, non-conductive, high impact thermal breaker strip, eliminates condensation build-up on case front.

INSULATION

All cabinet walls, top, and bottom have high density insulation. Foamed-in-place, non-CFC polyurethane insulation.

DRAWER CONSTRUCTION

Door fronts and backs are constructed of heavy gauge, polished stainless steel with heavy duty, safety grip, chrome plated handles. All drawer fronts are insulated with non-CFC polyurethane foam insulation. Full extension, lift-out type drawer frames are of heavy gauge, welded stainless steel mounted on heavy duty, easy glide, self closing drawer slides. Each drawer is supplied with a sturdy removable pan 24" wide x 18 1/2" long x 6" deep. Self adjusting, full perimeter, magnetic snap-in gaskets guarantee a positive seal. Condensation from pans and water from ice is drained by drawer gutters to the floor of the cabinet where a 1" male pipe connection can be made to the floor drain.

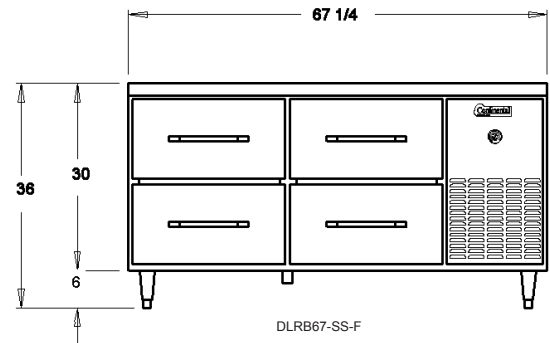
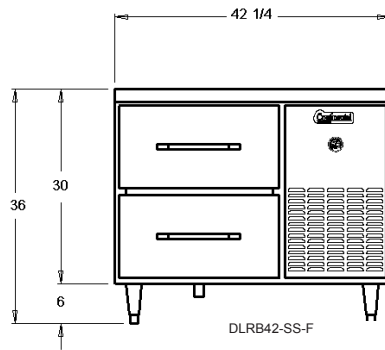
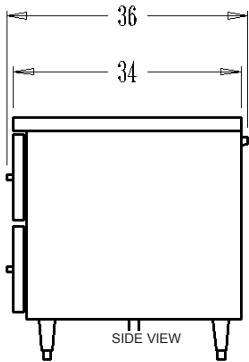


CHARACTERISTICS

DLRB42-SS-F DLRB42-SS-F-BS DLRB67-SS-F DLRB67-SS-F-BS

DIMENSIONAL DATA

Net Capacity (cu.ft.)	8.0	8.0	17.0	17.0
Width, Overall (in.)	42 ¹ / ₄	42 ¹ / ₄	67 ¹ / ₄	67 ¹ / ₄
Depth, Overall (incl. Hlds. (in.))	36	36	36	36
Depth, Body Only (Less Drawer(s)) (in.)	34	34	34	34
Height, Overall (incl. 6" Legs) (in.)	36	42	36	42
No. of Drawers	2	2	4	4
Drawer Pans (WxLxD) (in.)	24x18 ¹ / ₂ x6	24x18 ¹ / ₂ x6	24x18 ¹ / ₂ x6	24x18 ¹ / ₂ x6
Interior Depth (in.)	28 ¹ / ₂	28 ¹ / ₂	28 ¹ / ₂	28 ¹ / ₂
Interior Height (in.)	26	26	26	26
Interior Width (in.)	22	22	47	47
Condensing Unit Size (H.P.)	¹ / ₄	¹ / ₄	¹ / ₃	¹ / ₃
Refrigerant	R-134a	R-134a	R-134a	R-134a
Cabinet Electrical	115/60/1	115/60/1	115/60/1	115/60/1
Amps	6.1	6.1	8.8	8.8
Fans	1	1	2	2
Shipping Weight (lbs.)	355	470	495	495
Shipping Height (in.)	43	43	43	43
Shipping Length (in.)	54	54	77	77
Shipping Depth (in.)	41	41	41	41



Note: All specifications subject to change without notice



A Division of BALMAC International, Inc.
61 Broadway, Suite 1900, New York, NY 10006-2701
(212) 898-9699 Fax: (212) 514-9234
www.bmil.com - bmil@bmil.com